

Mechanical lock cases, hinges and door hardware

General information	3-4	Exit locks for wooden/steel doors		Installation accessories	
Locks for interior doors		ABLOY® LE180.....	25	ABLOY® 2050 installation box	39
ABLOY® 2011.....	5	ABLOY® LE184.....	25	ABLOY® 2051 installation box	39
ABLOY® 2014.....	5	ABLOY® LE185.....	26	Transfer device ABLOY® 518	39
ABLOY® 2016.....	5	ABLOY® LE181.....	26	Rounding pieces	40
ABLOY® 2018.....	6	ABLOY® LE183.....	27	Escutcheons.....	40
ABLOY® 2020.....	6	ABLOY® LE186.....	27	Cover plates	40
ABLOY® 2025.....	6	Double cylinder lock cases for		Cover front plates.....	41
ABLOY® 2040.....	7	wooden/steel doors		Keys	41
ABLOY® 4238.....	7	ABLOY® LC120	28	Striker plates.....	42
ABLOY® 4249.....	7	ABLOY® LC121	28	Hinges	46
ABLOY® 4260.....	8	ABLOY® LC121T	28	Drill-in hinges for windows.....	46
ABLOY® LC290	8	ABLOY® LC122	29	Hinges for interior doors.....	46
ABLOY® LC291	8	ABLOY® LC123	29	Hinges for exterior doors.....	47
ABLOY® 4290.....	9	ABLOY® LC125	29	Hinges for glass doors.....	49
ABLOY® 4291.....	9	ABLOY® LC127	30	Concealed hinges.....	49
ABLOY® 4570.....	9	Security and additional locks for		Hardware	50
ABLOY® 9456.....	10	wooden /steel doors		Letter plates	50
ABLOY® 4230.....	10	ABLOY® SL905	30	Quick bolt.....	51
ABLOY® 4202.....	10	ABLOY® SL905MP	30	Flush bolt	52
ABLOY® 4203.....	11	ABLOY® SL928S	31	Mortises	53
ABLOY® 4207.....	11	ABLOY® 4181.....	31	Locks for interior doors	53
ABLOY® 4208.....	11	ABLOY® LC211	31	Lock cases for wooden/steel doors.....	56
ABLOY® 4292.....	12	ABLOY® 4232.....	32	OneFit mortise.....	58
ABLOY® 4293.....	12	ABLOY® 4232MP	32	Double cylinder lock cases for wooden/	
ABLOY® 4297.....	12	Security locks for narrow profile doors		steel doors	60
ABLOY® 4298.....	13	ABLOY® LC306	33	Security and additional locks for wooden/	
Lock cases for wooden/steel doors		ABLOY® LC306H.....	33	steel doors	60
ABLOY® LC102	14	ABLOY® LC307	33	Security locks for narrow profile doors.....	61
ABLOY® LC190	15	ABLOY® LC307H.....	34	Lock cases for narrow profile doors	62
ABLOY® LC193	15	Lock cases for narrow profile doors		Double cylinder lock cases for narrow	
ABLOY® LC194	16	ABLOY® LC300	34	profile doors	62
ABLOY® LC195	16	ABLOY® LC301	34	Installation accessories.....	63
ABLOY® LC197	17	ABLOY® LC301F.....	35	Striker plates.....	63
ABLOY® LC960	17	ABLOY® LC302	35	Multipoint locking applications	65
ABLOY® LC100	18	ABLOY® LC303	35		
ABLOY® 4190.....	18	ABLOY® LC305	36		
ABLOY® 4190T.....	19	Double cylinder lock cases for			
ABLOY® LC204	19	narrow profile doors			
ABLOY® 4194.....	19	ABLOY® LC130	36		
ABLOY® 4195.....	20	ABLOY® LC131	36		
ABLOY® 4195T.....	20	ABLOY® LC132	37		
ABLOY® 4197.....	20	Exit locks for narrow profile doors			
ABLOY® 4960.....	21	ABLOY® LE310.....	37		
ABLOY® E4190.....	21	ABLOY® LE314.....	38		
ABLOY® E4194.....	22	ABLOY® LE315.....	38		
ABLOY® E4195.....	22				
ABLOY® LC200	23				
ABLOY® LC210	23				
ABLOY® 4865.....	24				
ABLOY® 4272.....	24				
ABLOY® 4272MP	24				

Product information

Locks with automatic deadlocking

Many ABLOY® lock cases are equipped with an automatic deadlocking action, which facilitates the use of the lock. The automatic deadlocking action is controlled by a snib in the forend. In the deadlocking mode it is not possible to retract the bolt other than using the cylinder or thumbturn and consequently a lock case with an automatic deadlocking must always be fitted with a cylinder or a thumbturn. Automatic deadlocking lock cases are designed to function perfectly with 2–5 mm door clearance.

T-model

The automatic deadlocking is controlled by a turning snib in the forend. The snib can be turned by a square key. The position of the turning snib: Turned clockwise = deadlocking. Turned anticlockwise = day use.

ABLOY® LC100 and LC102

ABLOY® LC100 and LC102 lock case is opened by turning first the key or thumbturn and then using the handle. The snib is locked to the deadlocking mode by turning a set screw, located below the snib, about two turns anticlockwise by a hexagonal key, until the screw stops and is opened by turning the screw clockwise.

Double cylinder lock cases and transfer devices

Double cylinder lock cases and transfer devices can be used to combine two different key systems in the same door. For example doors for electrical control rooms, boiler rooms, garbage sheds or similar service premises are suitable for application, thus making it possible to provide an access for e.g. a service company to enter the room with their own keys.

Applications

When choosing a lock case for a particular purpose, you should pay attention to the demands for: burglary protection, insurance company requirements, fire resistance, emergency exit safety, operational safety, durability, mortice and fittings standards, corrosion protection.

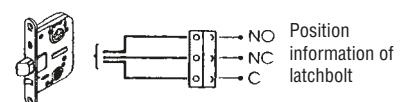
The most common applications and the lock cases used:

Interior doors	Interior doors/standard: 2014, 2020, 2040, Interior doors/renovation: 2020, 2025 Public buildings: 2018, 4203, 4290, 4293, LC208 Narrow profiles: LC300 Toilets/bathrooms/standard: 2014, 2025, 2040 Public buildings: 4207, 4291, 4297, 2025, LC200, LC291 Saunas: 4238 Lockable interior doors/standard: 2011, 2016, 2018, 4230, 4260, 4570, 9456 Public buildings: 4190, LC190, 4202, 4230, 4292, LC200 Narrow profiles: LC302, LC305 Sliding doors/standard: 4249 Public buildings: 4960, LC960
Exterior doors	Houses/standard: LC100, LC102, LC190, 4190, 4272, LC200, LC209, LC209A, LC210 Public buildings: 4190 (T), 4195 (T), 4272, LC190, LC195, LC200, LC209, LC209A, LC210 Narrow profiles: LC302, LC305 Steel doors: 4272MP
Additional locking	Wooden doors: SL905, SL928, 4181, 4232, 4298, 4208, LC211 Narrow profiles doors: LC306, LC307 Sliding narrow profiles doors: LC306H, LC307H Steel doors: SL428MP, 4232MP, SL905MP
Fire doors	Interior doors/standard: LC209, LC209A, LC210, 2011, 2014, 2025 Interior doors/public building: 4290, 4291, 2025 Houses/public building: 4190, 4190T, 4194, 4197, LC100, LC102, LC190, LC194, LC197 LC200, LC202, LC203, LC204, LC206, LC208, LC209, LC209A, LC210, 4272 Narrow profiles: LC300, LC301F, LC303, LC305 Steel doors: 4272MP
Emergency exits	Wooden doors: One leaf: LC193, LC203, LE180, LE184, LE185 Double door active leaf: LE181, LE183, LE185 Narrow profiles: One leaf: LC301, LC301F, LE310, LE314, LE315 Double door active leaf: LE310, LE314, LE315

Microswitch locks

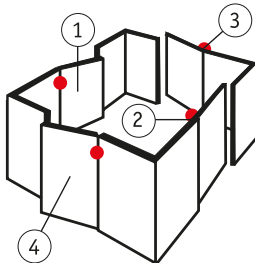
In microswitch locks the switch changes the status when the bolt has reached its fully protruded position and/or it's deadlocked. The ABLOY® microswitch lock case is equipped with a microswitch, which has a change-over contact. The switch follows mechanically the moves of the bolt or the deadlocking elements and changes its status according to the position of the actuating elements. The switching function of a particular lock type is clarified in the descriptions of the lock types.

- The microswitch version of each lock case has a product code ending with "X".
The product code for the microswitch version of e.g. 4190 is 4190X.
- Drilling, installation and mounting of door furniture is carried out in the same way as of corresponding mechanical lock cases, except that the cable of the microswitch needs to be routed to the door frame.
- Protective voltage must be used with microswitch lock cases.
 - Maximum current 1 A
 - Maximum voltage 60 VDC, 42 VAC
 - Maximum power 24 W
- A lock with a microswitch can be used as a sensor or switch for e.g. passage control or burglar alarm systems.
- Security locks can be used as switching and by-pass locks for burglar alarm systems.



Handing

Please specify the handing when ordering a lock case. A simple way to determine if the door (and lock) is left or right handed is to look at the door from the hinge side.



Left hand (1 & 3)

The hinges are on the left side.

Right hand (2 & 4)

The hinges are on the right side.

Dimensions & mortises

The drawings in this catalogue are available at www.abloy.com

Cylinders

The cylinder to be used with a lock case is specified for each product. We have used the following abbreviations:

CYLINDER AND FITTINGS

ABLOY® C, N, T, U Finnish range

KEY TYPES

ABLOY® CLASSIC (C), rotation direction only to clockwise

ABLOY® PROTEC (N), ABLOY® PROTEC2 (T), ABLOY® NOVEL (U)

SCAND Scandinavian range oval/round

ABLOY® PROTEC2 (T), ABLOY® PROTEC (N), ABLOY® NOVEL (U), ASSA, TrioVing o.e.

Euro DIN Europrofile DIN range

ABLOY® PROTEC (N), ABLOY® PROTEC2 (T), ABLOY® NOVEL (U), FAB o.e.

Please contact the importer or your local dealer for more detailed information.

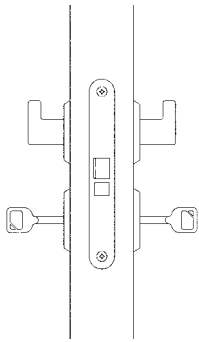
General finishes

Fe/Cr	Chrome plated steel
Fe/Zn	Zinc plated steel
Fe/ZL	Zinc chromated and lacquered steel
Fe/Mme (Fe/JME)	Powder coated steel, brass colour
Fe/Har /Fe/JHA)	Powder coated steel, grey colour
Fe/Val (Fe/JVA)	Powder coated steel, white colour
Fe/HCr	Satin chrome plated steel
ZNALCU/Mme (ZNALCU/JME)	Powder coated zamac, brass colour
Fe/ZnCLA (Fe/YECRLQ)	Yellow chromated and lacquered steel
Ms/Cr	Chrome plated brass
Ms/HCr	Satin chrome plated brass
Ms/HaLa	Brushed and lacquered brass
Ms/Ki	Polished brass
Ms/KiLa	Polished and lacquered brass
RST (Rt)	Stainless steel

Special finishes: E.g. special powder colours, chemical nickel, brass plated are made only to order. Propriety to applications must be checked.

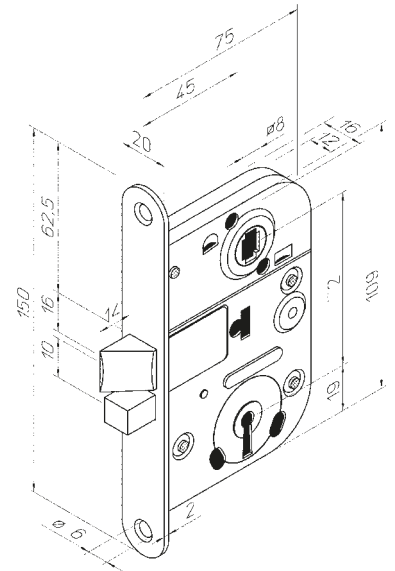
In wet places or other corrosive atmospheres, as indoor swimming baths, spas, food and chemical industry etc, a chemical nickel coating is recommended.

ABLOY® 2011

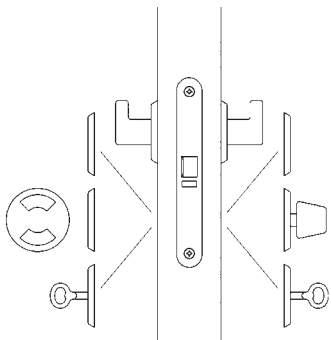


Lever lock for interior doors. The lock features 5 levers to give 250 different key combinations. Lock handing can easily be changed by pulling out the latchbolt and turning it 180° clockwise. The lock is fitted with lever handles and an escutcheon. The lock can also be equipped with DIN standard fittings. See page 41.

Striker plate	0043, 0045, 0053, 0055, 0068, 0068B
Finish	Fe/Zn, Fe/Mme
Fire resistance	Yes
Mortise standard	SFS 5210 SS 81 73 82 Please see page 53

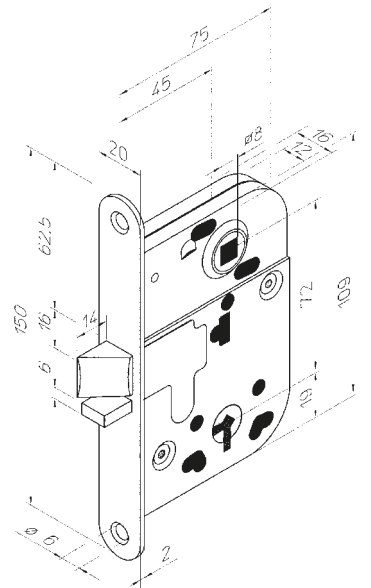


ABLOY® 2014

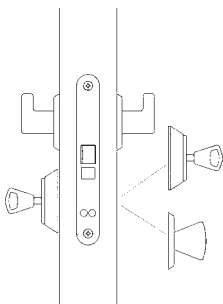


Lock for interior doors. It can be locked with either a key or a toilet thumbturn. Lock handing can easily be changed by pulling out the latchbolt and turning it 180° clockwise. The lock can be used with a lever handle only or with both a lever handle and a key or a toilet thumbturn. The lock can also be equipped with DIN standard fittings. See page 41.

Striker plate	0043, 0045, 0053, 0055, 0068, 0068B
Finish	Fe/Zn, Fe/Mme
Fire resistance	Yes
Mortise standard	SFS 5210 SS 81 73 82 Please see page 53

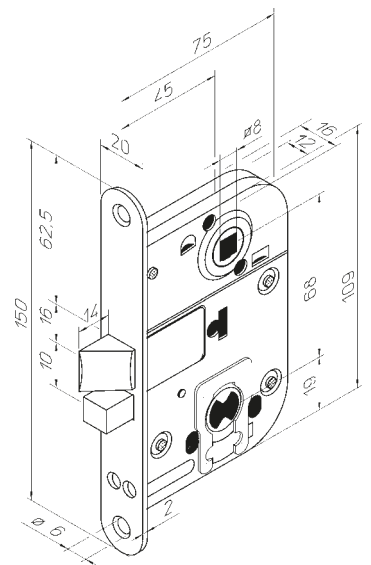


ABLOY® 2016

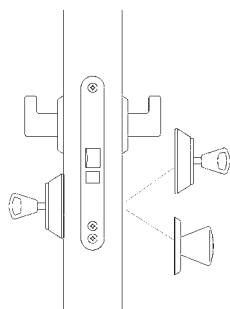


Cylinder lock case for interior doors. It can be locked using a key or a thumbturn. In locked position, the deadbolt protrudes 14 mm. Lock handing can easily be changed by pulling out the latchbolt and turning it 180° clockwise.

Striker plate	0043, 0045, 0053, 0055, 0068, 0068B
Finish	Fe/ZL
Fire resistance	Yes
Cylinder	SCAND
Mortise standard	SFS 5210 SS 81 73 82 Please see page 53

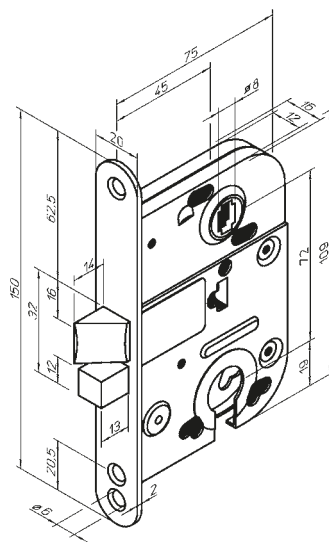


ABLOY® 2018

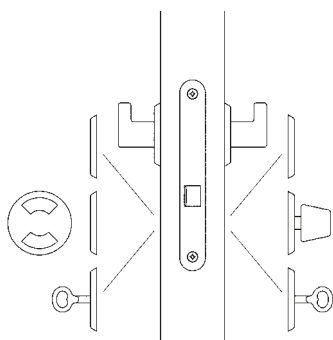


Cylinder lock for interior doors. The lock can be opened and locked by turning the key one turn. In locked position, the deadbolt protrudes 14 mm. The latch can be retracted both by handles or by key. Lock handing can easily be changed by pulling out the latchbolt and turning it 180° clockwise.

Striker plate	0043, 0045, 0053, 0055, 0068, 0068B
Finish	Fe/Mme, Fe/ZL
Fire resistance	Yes
Cylinder	Euro DIN
Mortise	Special mortise standard, please see page 53



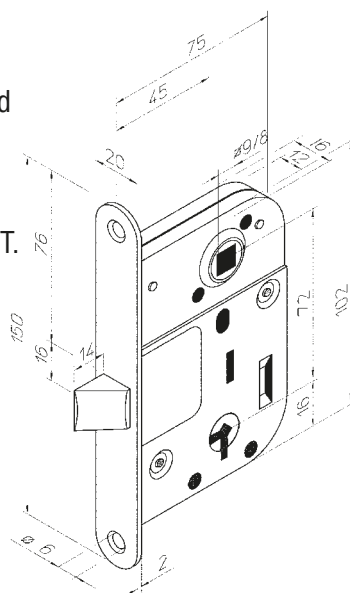
ABLOY® 2020



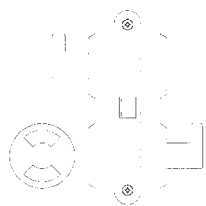
Lock for interior doors. It has one latch bolt which can be deadlocked with either a key or a toilet thumbturn. Lock handing can easily be changed by pulling out the latchbolt and turning it 180° clockwise. The lock can be used with a lever handle only or with both a lever handle and a key or a toilet thumbturn.

The lock fits into the same mortise as e.g. ASSA 404 and 404T. 2020 replaces the following old lock types: BODA 408-409-418-420-422-423-448-501-502-503 and ASSA 404 and 404T

Striker plate	0043, 0045, 0053, 0055, 0068, 0068B
Finish	Fe/Mme
Fire resistance	Yes
Mortise standard	SFS 5210 SS 81 73 82 Please see page 53



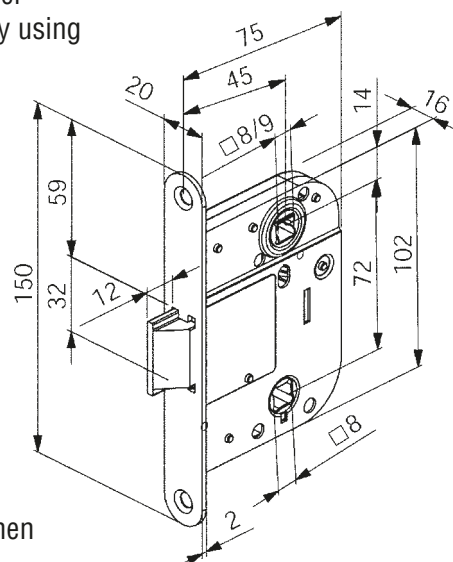
ABLOY® 2025



A toilet door lock, which is locked by turning the lever handle upwards. The finish can easily be changed by using decorative cover front plate. The lock can be used without decorative cover front plate also. Lock handing can easily be changed by pulling out the latchbolt and turning it 180° clockwise.

Striker plate	0043, 0045, 0053, 0055, 0068, 0068B
Standard finish, lock	Fe/Mme
Decorative front plate	7640 Fe/Cr, Fe/HCr, Ms/HaLa, Ms/Ki, Rst
Fire resistance	Yes
Mortise standard	SFS 5210 SS 81 73 82 Please see page 53

The mortise for the forend should be 3 mm deep when using cover front plate 7640.



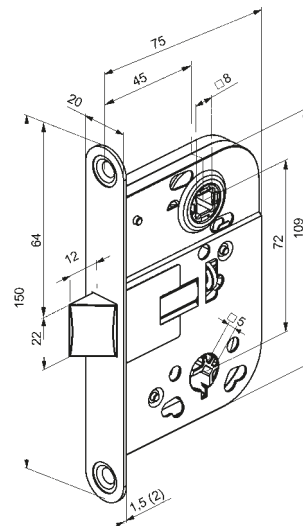
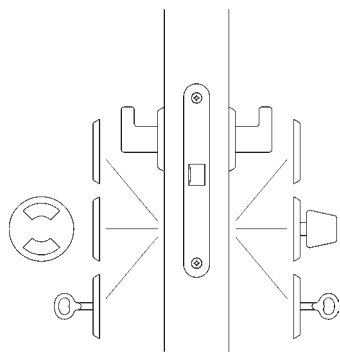
ABLOY® 2040

Lock for interior doors. The lock can be used with a lever handle only or with both a lever handle and a toilet thumbturn.

Lock handing can easily be changed by pulling out the latch bolt and turning it 180° clockwise.

The lock can also be equipped with DIN standard fittings. See page 41.

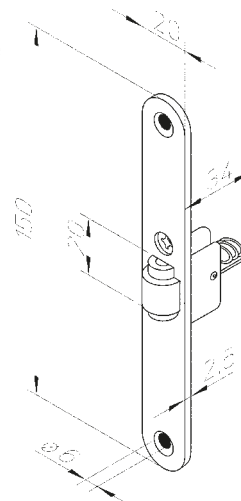
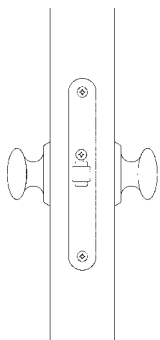
Striker plate	0043, 0045, 0053, 0055, 0068, 0068B
Standard finish	Fe/Mme, Fe/Zn
Additional finish	Fe/Cr, Fe/HCr, Ms/HaLa, Ms/Ki, Rst
Fire resistance	–
Mortise standard	SFS 5210 SS 81 73 82 Please see page 53



ABLOY® 4238

Symmetric roller latch. The roller latch protrusion can be adjusted by means of a screw in the front plate. The door must have a door pull. For reasons of safety, a special striker plate is used in conjunction with the roller latch.

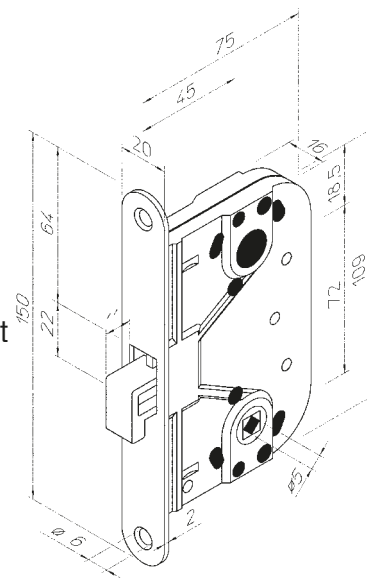
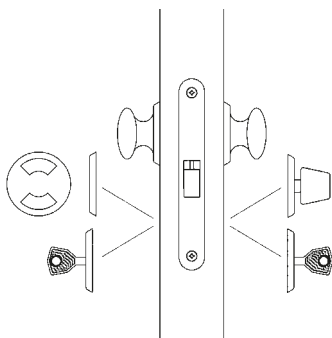
Striker plate	0046, 0078
Finish	ZNALCU/Mme
Fire resistance	–
Mortise standard	SFS 5210 SS 81 73 82 Please see page 53



ABLOY® 4249

Lock case for lightweight sliding and folding doors. The hookbolt can be locked. Either by using a key or toilet thumbturn.

Striker plate	4662
Finish	Fe/Mme
Additional finish	Fe/Cr, Fe/HCr, Ms/HaLa, Ms/KiLa, Rst
Fire resistance	–
Mortise standard	SFS 5210 SS 81 73 82 Please see page 53



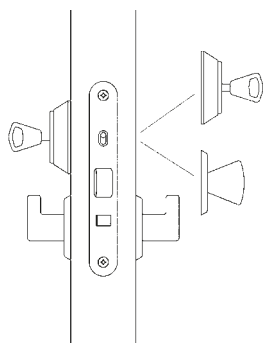
ABLOY® 4260

Cylinder mortise lock with an automatically deadlocking latchbolt for interior doors. Deadlocking is controlled by a snib in the front plate.

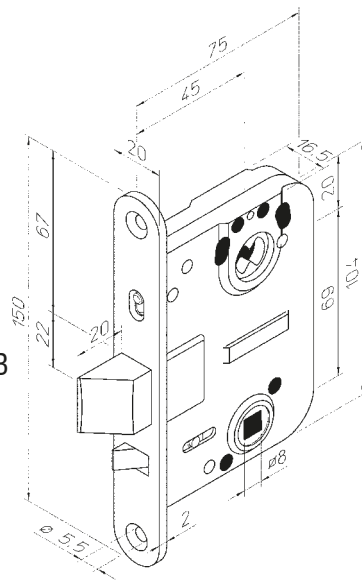
Snib position:

UP = Deadlocking, latchbolt protrudes 20 mm. The lock can be opened only with a key or a thumbturn.

DOWN = Latchbolt protrudes 14 mm. Lock can also be opened with lever handles.



Striker plate	0043, 0045, 0053, 0055, 0068, 0068B
Finish	Fe/Mme, Fe/Zn
Cylinder	ABLOY® C, N, T, U
Fire resistance	–
Mortise standard	SFS 5210 SS 81 73 82 Please see page 53



ABLOY® LC290

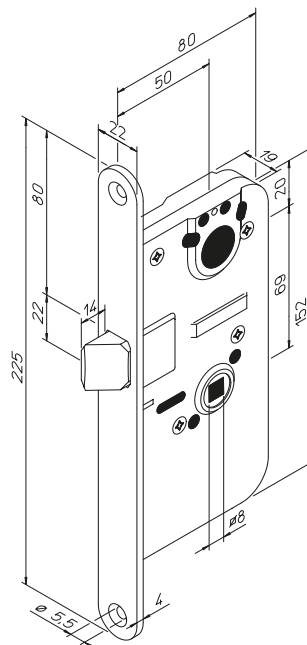
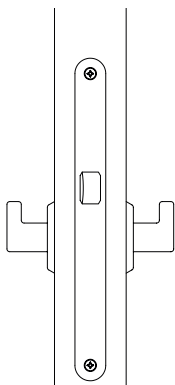
Mortise lock with a lever handle function only. Recommended for public buildings.

Striker plate: 4690, 4691, LP711, LP714, LP721, LP731

Finish: Fe/ZL

Fire resistance: Wooden doors EI₁₅ – EI₃₀ and EI₂₁₅ – EI₂₃₀, Metal doors EI₁₁₅ – EI₁₂₀ and EI₂₁₅ – EI₂₁₂₀

Mortise: OneFit mortise
Please see page 57



ABLOY® LC291

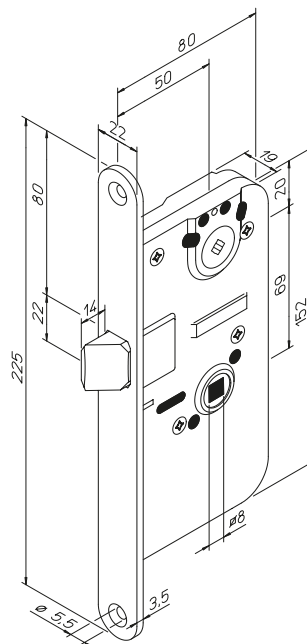
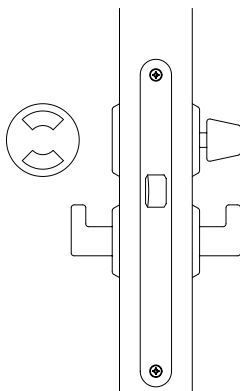
Mortise lock for toilet doors in public buildings. The lock is suitable for use with lever handles and a toilet thumbturn.

Striker plate: 4690, 4691, LP711, LP714, LP721, LP731

Finish: Fe/ZL

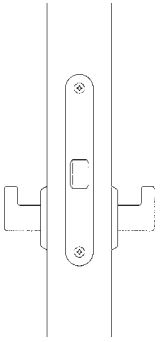
Fire resistance: Wooden doors EI₁₅ – EI₃₀ and EI₂₁₅ – EI₂₃₀, Metal doors EI₁₁₅ – EI₁₂₀ and EI₂₁₅ – EI₂₁₂₀

Mortise: OneFit mortise
Please see page 57



ABLOY® 4290

Mortise lock with a lever handle function.
Recommended for public buildings.

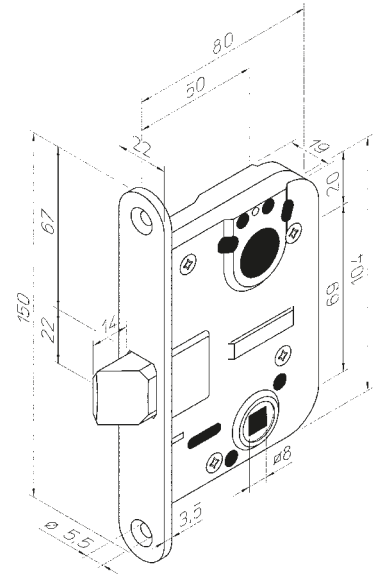


Striker plate 4690, 4691,
LP711, LP714, LP721, LP731

Finish Fe/ZL

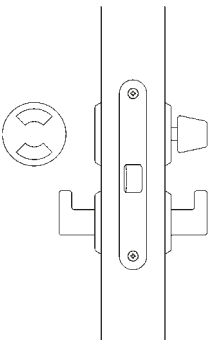
Fire resistance: Wooden doors EI15 – EI160 and
EI215 – EI260,
Metal doors EI15 – EI120 and
EI215 – EI2120

Mortise standard SFS 5209
Please see page 58



ABLOY® 4291

Mortise lock for toilet doors in public buildings.
The lock is suitable for use with lever handles and a toilet thumbturn.

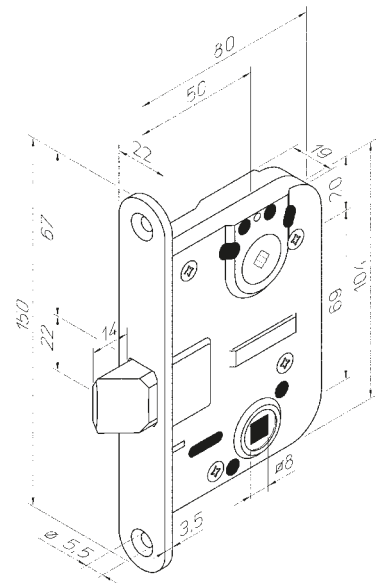


Striker plate 4690, 4691,
LP711, LP714, LP721, LP731

Finish Fe/ZL

Fire resistance: Wooden doors EI15 – EI160 and
EI215 – EI260,
Metal doors EI15 – EI120 and
EI215 – EI2120

Mortise standard Please see page 55



ABLOY® 4570

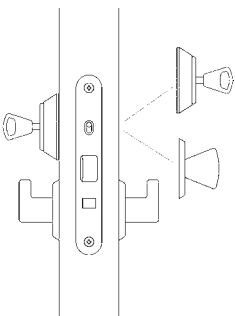
Cylinder mortise lock with an automatically deadlocking
latchbolt for interior doors. Deadlocking is controlled by
a snib in the front plate.

Snib position:

UP = Deadlocking, latchbolt protrudes 20 mm. The lock
can be opened only with a key or a thumbturn.

DOWN = Latchbolt protrudes 14 mm.

The lock can also be opened with lever handles.



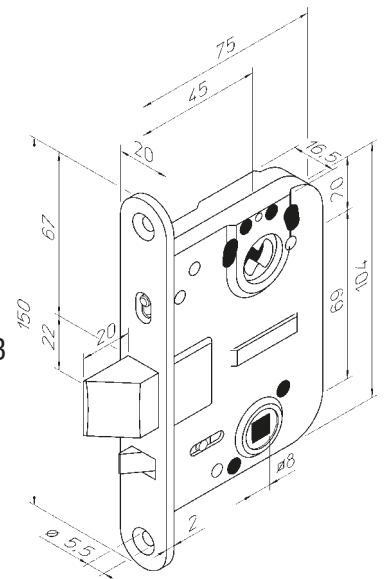
Striker plate 0043, 0045, 0053, 0055, 0068, 0068B
Other striker plates
see page 37–38

Finish Fe/ZL

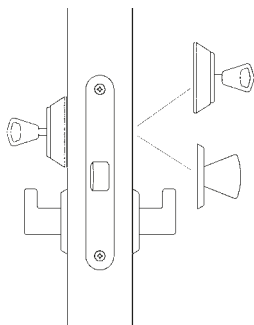
Cylinder ABLOY® N, T, U, SCAND

Fire resistance –

Mortise standard SFS 5210
SS 81 73 82
Please see page 53



ABLOY® 9456



Cylinder lock case for interior doors. A turn of the key or thumbturn clockwise throws the latchbolt 20 mm and deadlocks. The lock is opened by turning the key or thumbturn anticlockwise thereby allowing the latchbolt to protrude 14 mm for day mode. The door can then be opened using the lever handles.

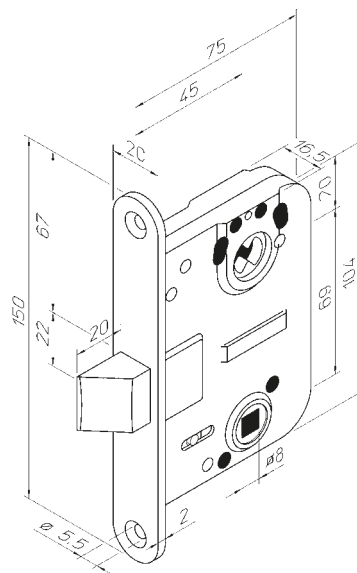
Striker plate 0043, 0045, 0053, 0055, 0068, 0068B
Other striker plates see page 37–38

Finish Fe/ZL

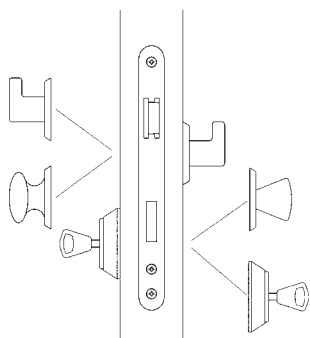
Cylinder ABLOY® N, T, U, SCAND

Fire resistance –

Mortise standard SFS 5210
SS 81 73 82
Please see page 53



ABLOY® 4230



Symmetric exterior door lock for DIN eurocylinder. The handing of the lock can easily be changed by turning the latch 180°. The latch is controlled by lever handles or a cylinder and the deadbolt the cylinder. The deadbolt is protruding 20 mm. Compatible with similar GOST norm products.

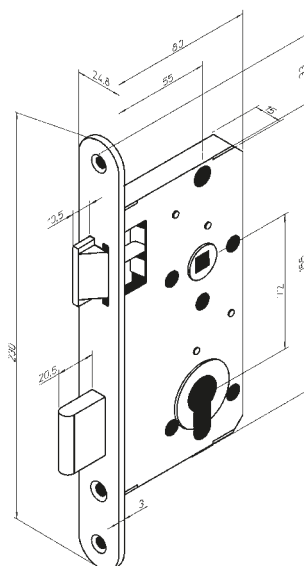
Striker plate 0029, 4667, 4669

Finish Fe/Mme, Fe/ZL

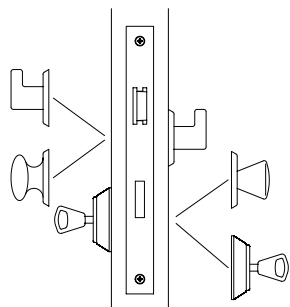
Cylinder Euro DIN

Fire resistance –

Mortise standard Please see page 56



ABLOY® 4202



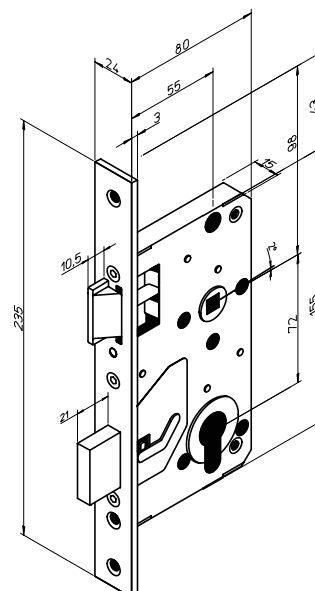
Symmetrical DIN euro cylinder lock for fire doors. The latch is controlled by lever handles or a cylinder and the deadbolt by the cylinder. The deadbolt is protruding 20 mm. The lock can be used with DIN escutcheons and long plates. The handedness can easily be changed by pushing the latch bolt inside the lock case and turning it.

Striker plate 4673

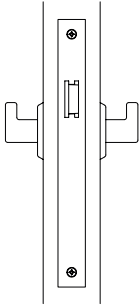
Finish Rst, Ms/KiLa

Cylinder Euro DIN

Fire resistance Yes

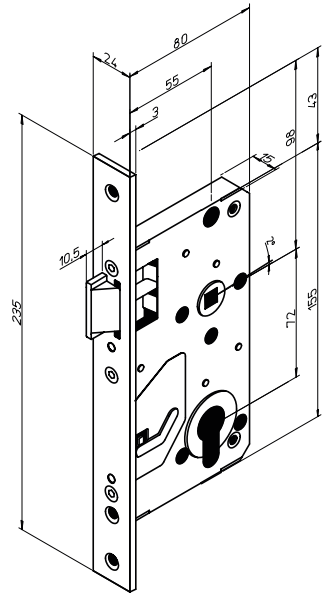


ABLOY® 4203

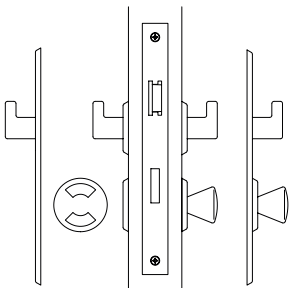


Symmetrical DIN lock for fire doors with handle function. The lock can be used with DIN escutcheons and long plates. The handedness can easily be changed by pushing the latch bolt inside the lock case and turning it.

- Striker plate 4673
- Finish Rst, Ms/KiLa
- Fire resistance Yes

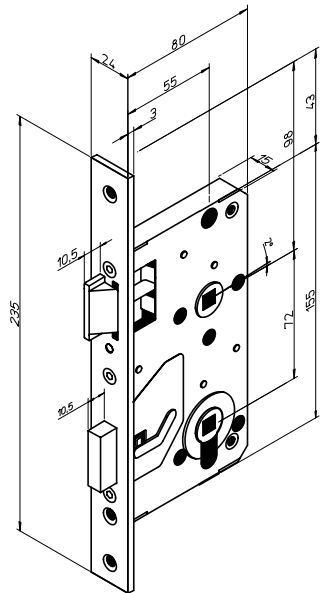


ABLOY® 4207

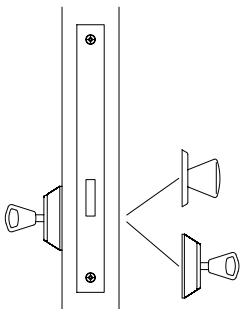


Symmetric DIN lock for toilet doors. The handing of the lock can easily be changed by turning the latch 180°. The latch is controlled by lever handles and the deadbolt by a toilet thumbturn (8 mm spindle). The deadbolt is protruding 10 mm.

- Striker plate 4673
- Finish Rst, Ms/KiLa
- Fire resistance -
- Mortise standard Please see page 56

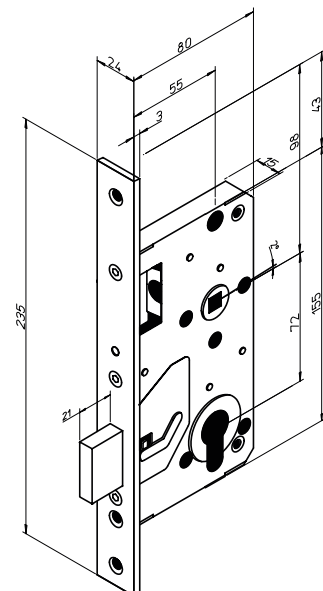


ABLOY® 4208

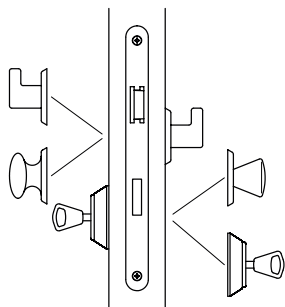


Symmetrical DIN lock with deadbolt function. The deadbolt is controlled by the cylinder. The deadbolt is protruding 20 mm. The lock can be used with DIN escutcheons and long plates.

- Striker plate 4673
- Finish Rst, Ms/KiLa
- Cylinder Euro DIN
- Fire resistance -



ABLOY® 4292



Symmetrical DIN euro cylinder lock for fire doors. The latch is controlled by lever handles or a cylinder and the deadbolt by the cylinder. The deadbolt is protruding 20 mm. The lock can be used with DIN escutcheons and long plates. The handedness can easily be changed by pushing the latch bolt inside the lock case and turning it.

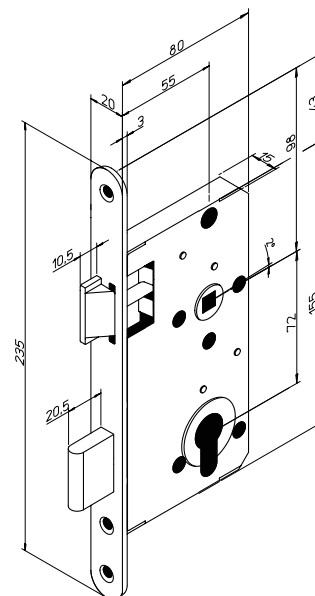
Striker plate 0029, 4667, 4669
(Finish Fe/Mme, Fe/ZL)

Striker plate 4673 (Finish Rst, Ms/KiLa)

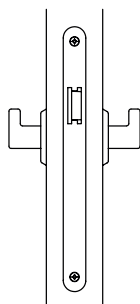
Finish for lock case Fe/Mme, Fe/ZL, Rst, Ms/KiLa

Cylinder Euro DIN

Fire resistance Yes



ABLOY® 4293



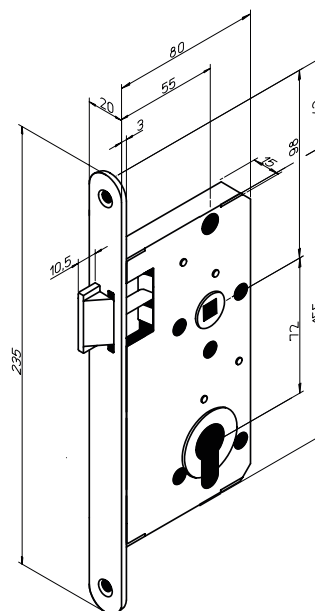
Symmetrical DIN lock for fire doors with handle function. The lock can be used with DIN escutcheons and long plates. The handedness can easily be changed by pushing the latch bolt inside the lock case and turning it.

Striker plate 0029, 4667, 4669 (Finish Fe/Mme, Fe/ZL)

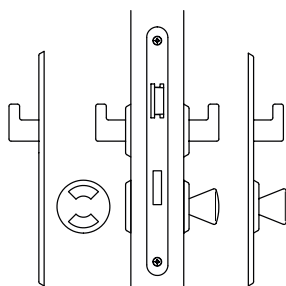
Striker plate 4673 (Finish Rst, Ms/KiLa)

Finish for lock case Fe/Mme, Fe/ZL, Rst, Ms/KiLa

Fire resistance Yes



ABLOY® 4297



Symmetric DIN lock for toilet doors. The handing of the lock can easily be changed by turning the latch 180°. The latch is controlled by lever handles and the deadbolt by a toilet thumbturn (8 mm spindle). The deadbolt is protruding 10 mm.

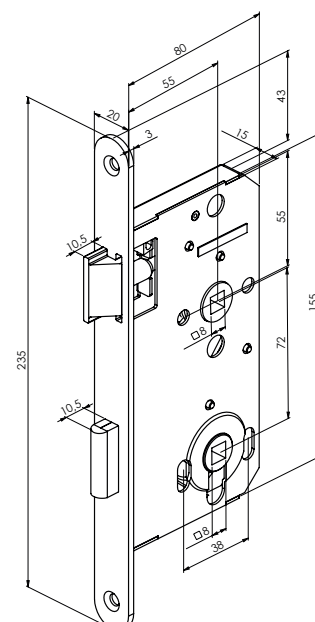
Striker plate 0029, 4667, 4669 (Finish Fe/Mme, Fe/ZL)

Striker plate 4673 (Finish Rst, Ms/KiLa)

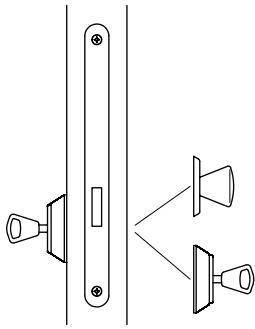
Finish for lock case Fe/Mme, Fe/ZL, Rst, Ms/KiLa

Fire resistance –

Mortise standard Please see page 57



ABLOY® 4298



Symmetrical DIN lock with deadbolt function.
The deadbolt is controlled by the cylinder. The deadbolt is protruding 20 mm. The lock can be used with DIN escutcheons and long plates.

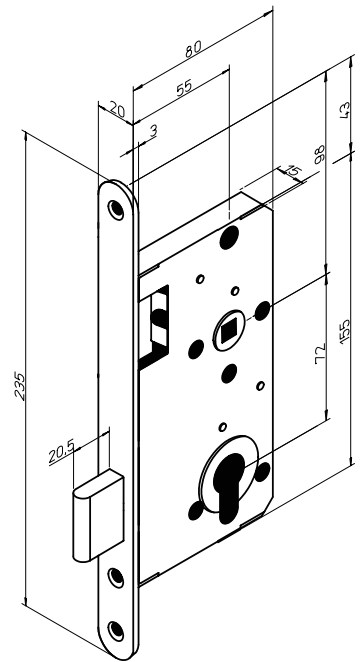
Striker plate 0029, 4667, 4669 (Finish Fe/Mme, Fe/ZL)

Striker plate 4673 (Finish Rst, Ms/KiLa)

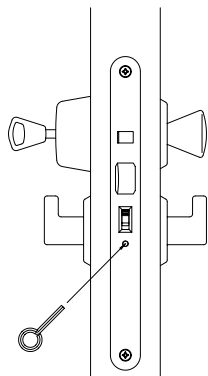
Finish for lock case Fe/Mme, Fe/ZL, Rst, Ms/KiLa

Cylinder Euro DIN

Fire resistance –



ABLOY® LC102



Cylinder lock case with an automatically deadlocking latchbolt. The lock must always be equipped with handles on both inside and outside. The deadlocking is controlled by a snib in the forend. When the snib is in deadlocking mode, the door is opened by turning the outside key 180° or the inside thumbturn 90°. The handles are then activated, and the latchbolt can be retracted.

Snib position:

UP = Deadlocking, latchbolt protrudes 21 mm. The lever handles are activated by the key or the thumbturn.

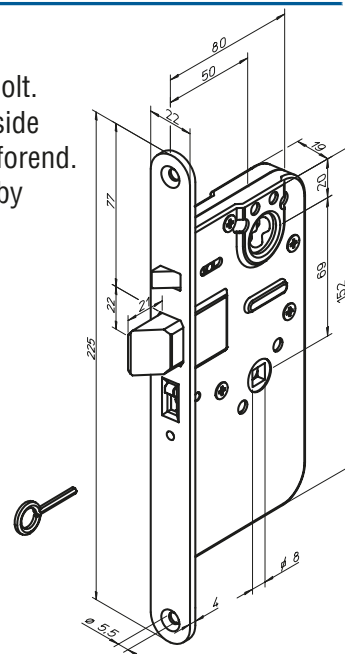
DOWN = Latchbolt protrudes 14 mm.

The door is opened with the lever handles.

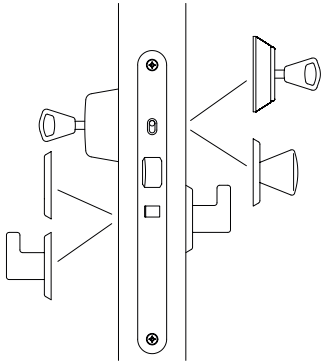
The lock case LC102 is fitted with a feature to prevent unauthorized use of the snib. The snib is locked to the deadlocking mode by turning a set screw, located below the snib, about two turns anticlockwise by a hexagonal key, until the screw stops and is opened by turning the screw clockwise.

LC102X is the microswitch version of the lock. The switch changes its status when the bolt has protruded to 21 mm. Following striker plates are recommended to be used with a microswitch locking box: 4692, 4693.

Striker plate: 4690, 4691, LP711, LP714, LP721, LP731
 Finish: Fe/ZL
 Cylinder: ABLOY® C, N, T, U
 Fire resistance: Wooden doors EI115 - EI130 and EI215 - EI230,
 Metal doors EI115 - EI120 and EI215 - EI220
 Mortise standard: OneFit mortise. Please see page 58



ABLOY® LC190



A cylinder lock case with an automatically deadlocking latchbolt. The latchbolt is deadlocked when both triggering bolt and latchbolt are retained inside the lock case.

The deadlocking is controlled by a snib in the forend. The lock case is fitted with a feature to prevent unauthorized use of the snib. The snib can be moved by turning first the key or thumbturn.

Snib position:

UP = Deadlocking, latchbolt protrudes 21 mm. The lock can be opened only with a key or a thumbturn.

DOWN = Latchbolt protrudes 14 mm. The lock can also be opened with the lever handles.

LC190X is the microswitch version of the lock. The switch changes its status when the latchbolt protrudes 21 mm. Following striker plates are recommended to be used with a microswitch locking box: 4692, 4693.

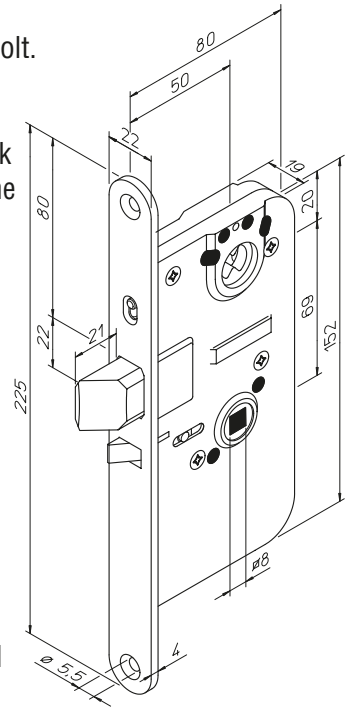
Striker plate: 4690, 4691, LP711, LP714, LP721, LP731

Finish: Fe/ZL

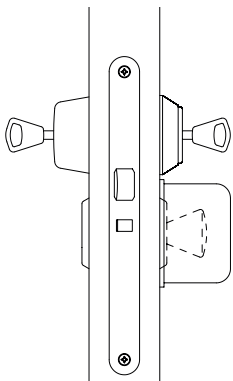
Cylinder: ABLOY® C, N, T, U

Fire resistance: Wooden doors EI₁₅ - EI₃₀ and EI₂₅ - EI₃₀,
Metal doors EI₁₅ - EI₁₂₀ and EI₂₅ - EI₂₁₂₀

Mortise standard: OneFit mortise
Please see page 58



ABLOY® LC193



Cylinder lock case for emergency exits. The latchbolt deadlocks automatically when the door is closed, protruding 21 mm.

The lock case is suitable for use with a double cylinder and an emergency exit thumbturn. The bolt is opened with either the key or the emergency thumbturn.

LC193X is the microswitch version of the lock. The switch changes its status when the latchbolt protrudes 21 mm. Following striker plates are recommended to be used with a microswitch locking box: 4692, 4693.

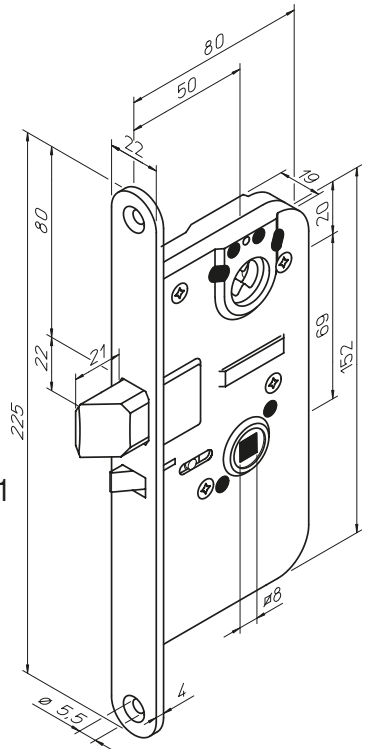
Striker plate: 4690, 4691, LP711, LP714, LP721, LP731

Finish: Fe/ZL

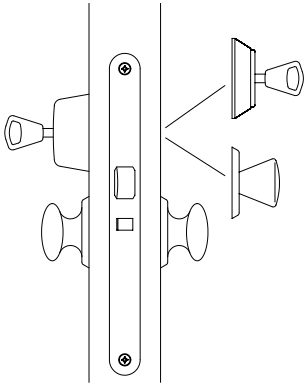
Cylinder: ABLOY® C, N, T, U

Fire resistance: Wooden doors EI₁₅ - EI₃₀ and EI₂₅ - EI₃₀,
Metal doors EI₁₅ - EI₁₁₂₀ and EI₂₅ - EI₂₁₂₀

Mortise standard: OneFit mortise
Please see page 58



ABLOY® LC194



Lock case with an automatically deadlocking latchbolt. The latchbolt is deadlocked when both triggering bolt and latchbolt are retained inside the lock case. The latchbolt protrudes to 21 mm when the door is closed.

The lock has no lever handle operation. The bolt is opened with either a key or a thumbturn.

LC194X is the microswitch version of the lock. The switch changes it's status when the bolt protrudes 21 mm.

Following striker plates are recommended to be used with a microswitch locking box: 4692, 4693.

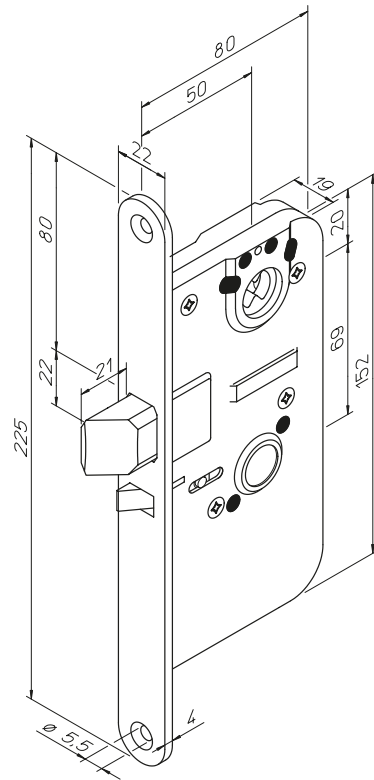
Striker plate: 4690, 4691, LP711, LP714,

Finish: Fe/ZL

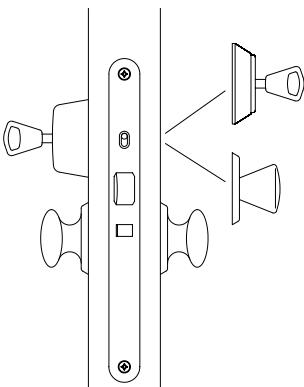
Cylinder: ABLOY® C, N, T, U

Fire resistance: Wooden doors EI115 - EI130 and EI215 - EI230,
Metal doors EI115 - EI1120 and EI215 - EI2120

Mortise standard: OneFit mortise
Please see page 58



ABLOY® LC195



Lock case with an automatically deadlocking latchbolt. The latchbolt is deadlocked when both triggering bolt and latchbolt are retained inside the lock case.

Deadlocking is controlled by a snib in the front plate.

The lock cases fitted with at feature to prevent unauthorized use of te snib.

The snib can be moved by turning first the key or thumbturn. The lock has no lever handle operation.

Snib position:

UP = Deadlocking, latchbolt protrudes 21 mm. The lock can be opened only with a key or a thumbturn.

DOWN = Latchbolt is retained inside the lock case.

LC195X is the microswitch version of the lock. The switch changes it's status when the bolt protrudes 21 mm.

Following striker plates are recommended to be used with a microswitch locking box: 4692, 4693.

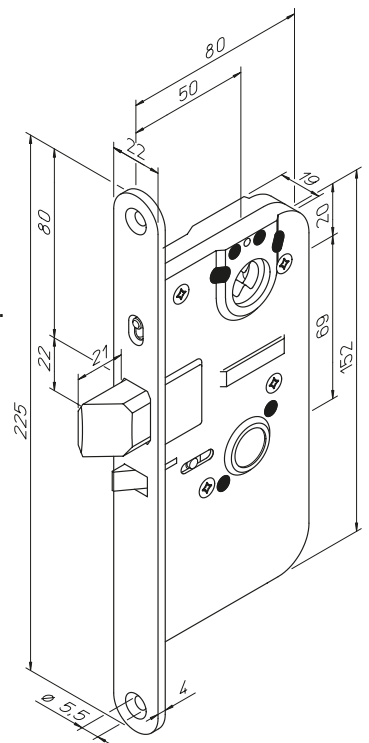
Striker plate: 4690, 4691, LP711, LP714, LP721, LP731

Finish: Fe/ZL

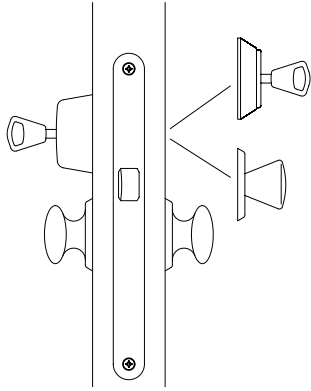
Cylinder: ABLOY® C, N, T, U

Fire resistance -

Mortise standard: OneFit mortise
Please see page 58



ABLOY® LC197



Cylinder lock case with a cylinder function for fire doors. The lock is opened by a key or a thumbturn.

The non-deadlocking latchbolt protrudes 14 mm. The lock can also be used with electromechanical striker plates.

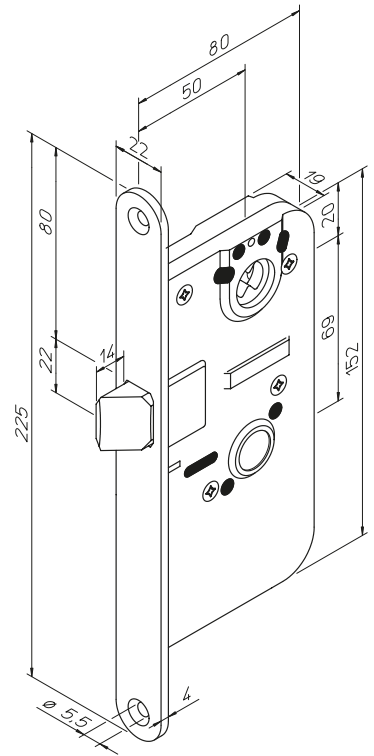
Striker plate: 4690, 4691, LP711, LP714, LP721, LP731

Finish: Fe/ZL

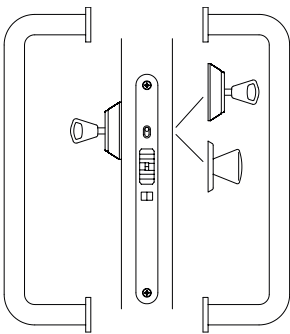
Cylinder: ABLOY® C, N, T, U

Fire resistance: Wooden doors EI15 - EI30 and EI215 - EI230,
Metal doors EI15 - EI1120 and EI215 - EI2120

Mortise standard: OneFit mortise
Please see page 58



ABLOY® LC960



Cylinder lock case with an automatically deadlocking hookbolt for folding and sliding doors. The deadlocking is controlled by a snib in the forend.

Snib position:
UP = Deadlocking, when the door is closed.
The lock can be opened with a key or a thumbturn.
DOWN = Hookbolt is retained inside the lock case.

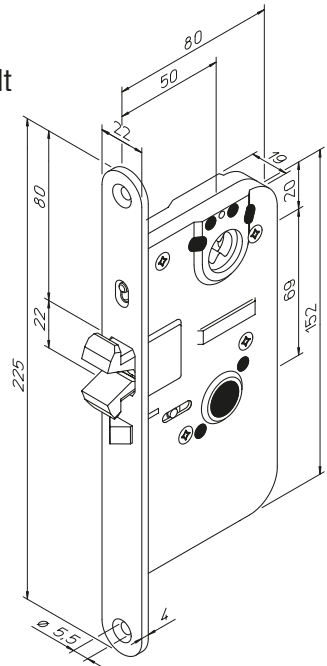
Striker plate: 4662

Finish: Fe/ZL

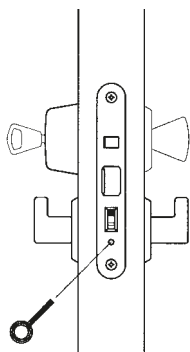
Cylinder: ABLOY® C, N, T, U

Fire resistance: -

Mortise standard: OneFit mortise
Please see page 58



ABLOY® LC100



Lock case with an automatically deadlocking latchbolt. The lock must always be equipped with handles, as the latchbolt is retracted with the handles only. The deadlocking is controlled by a snib in the forend. When the snib is in deadlocking mode, the door is opened by turning the outside key 180° or the inside thumbturn 90°. The handles are then activated, and the latchbolt can be retracted.

Snib position:

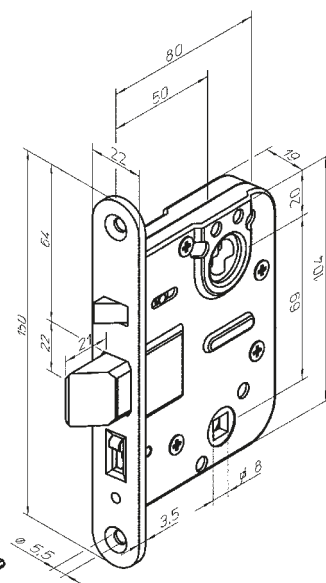
UP = Deadlocking, latchbolt protrudes 21 mm. The lever handles are activated by the key or the thumbturn.

DOWN = Latchbolt protrudes 14 mm.

The door is opened with the lever handles.

The lock case LC100 is fitted with a feature to prevent unauthorized use of the snib. The snib is locked to the deadlocking mode by turning a set screw, located below the snib, about two turns anticlockwise by a hexagonal key, until the screw stops and is opened by turning the screw clockwise.

LC100X is the microswitch version of the lock. The switch changes its status when the bolt has protruded to 21 mm. Following striker plates are recommended to be used with a microswitch locking box: 4692, 4693.



Striker plate 4690, 4691, LP711, LP714, LP721, LP731

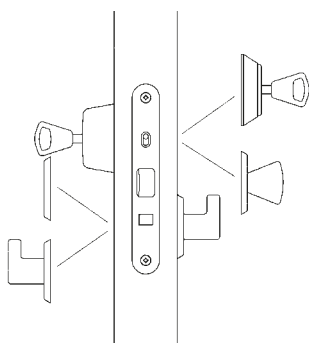
Finish Fe/ZL

Cylinder ABLOY® C, N, T, U

Fire resistance: Wooden doors EI115 – EI160 and EI215 – EI260,
Metal doors EI115 – EI120 and EI215 – EI2120

Mortise standard SFS 5209
Please see page 58

ABLOY® 4190



Lock case with an automatically deadlocking latchbolt. The deadlocking is controlled by a snib in the forend.

Snib position:

UP = Deadlocking, latchbolt protrudes 21 mm. The lock can be opened only with a key or a thumbturn.

DOWN = Latchbolt protrudes 14 mm. The lock can also be opened with the lever handles.

4190X is the microswitch version of the lock. The switch changes its status when the latchbolt leaves its day locking position, i.e. the bolt protrudes 15 mm or more. Following striker plates are recommended to be used with a microswitch locking box: 4692, 4693.

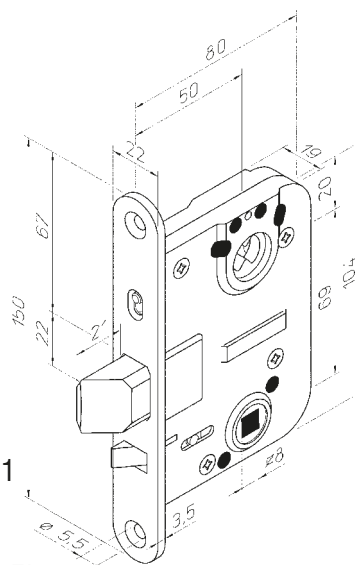
Striker plate 4690, 4691, LP711, LP714, LP721, LP731

Finish Fe/ZL

Cylinder ABLOY® C, N, T, U

Fire resistance: Wooden doors EI115 – EI160 and EI215 – EI260,
Metal doors EI115 – EI120 and EI215 – EI2120

Mortise standard SFS 5209. Please see page 58



ABLOY® 4190T

Lock case with an automatically deadlocking latchbolt. The deadlocking function is controlled with a rotating snib, operated by a square key, in the forend.

Snib function:

TURN CLOCKWISE = Deadlocking, latchbolt protrudes 21 mm.

The lock can be opened only with a key or a thumbturn.

TURN ANTICLOCKWISE = Latchbolt protrudes 14 mm.

The lock can also be opened with the lever handles.

4190TX is the microswitch version of the lock. The switch changes its status when the latchbolt leaves its day locking position, i.e. the bolt protrudes 15 mm or more.

Following striker plates are recommended to be used with a microswitch locking box: 4692, 4693.

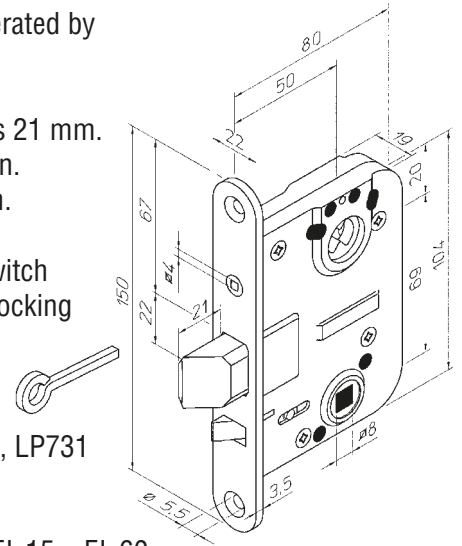
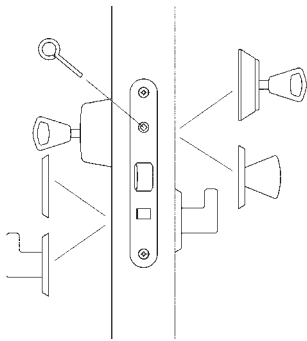
Striker plate 4690, 4691, LP711, LP714, LP721, LP731

Finish Fe/ZL

Cylinder ABLOY® C, N, T, U

Fire resistance: Wooden doors EI15 – EI60 and EI215 – EI260,
Metal doors EI115 – EI120 and EI215 – EI2120

Mortise standard SFS 5209. Please see page 58



ABLOY® LC204

Lock case with an automatically deadlocking latchbolt. The deadlocking is controlled by a snib in the forend.

Snib position:

UP = Deadlocking, latchbolt protrudes 20 mm. The lock can be opened only with a key or a thumbturn.

DOWN = Latchbolt protrudes 14 mm. The lock can also be opened with the lever handles.

LC204X is the microswitch version of the lock. The switch changes its status when the latchbolt leaves its day locking position, i.e. the bolt protrudes 15 mm or more.

Following striker plates are recommended to be used with a microswitch locking box: 4692, 4693.

Striker plate 4690, 4691, LP711, LP714, LP721, LP731

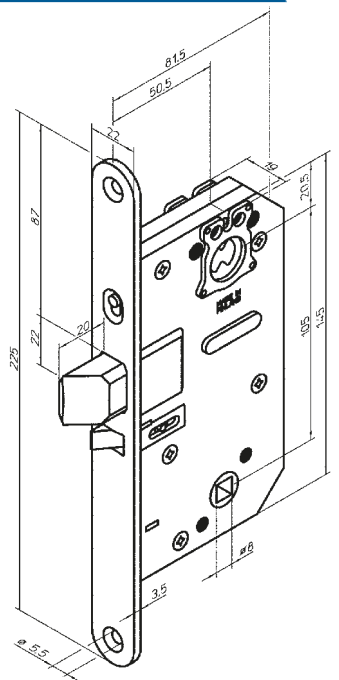
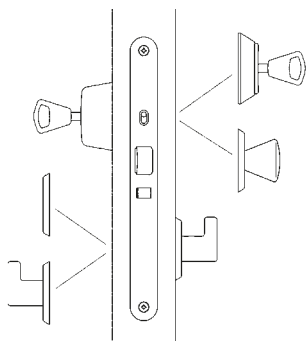
Finish Fe/ZL

Cylinder ABLOY® C, N, T, U

Fire resistance Yes

Mortise standard SFS 5208, SS 81 73 83

Please see page 58



ABLOY® 4194

Lock case with an automatically deadlocking latchbolt. The latchbolt protrudes to 21 mm when the door is closed. The lock has no lever handle operation. The bolt is opened with either a key or a thumbturn.

4194X is the microswitch version of the lock. The switch changes its status when the bolt has protruded to 15 mm or more.

Following striker plates are recommended to be used with a microswitch locking box: 4692, 4693.

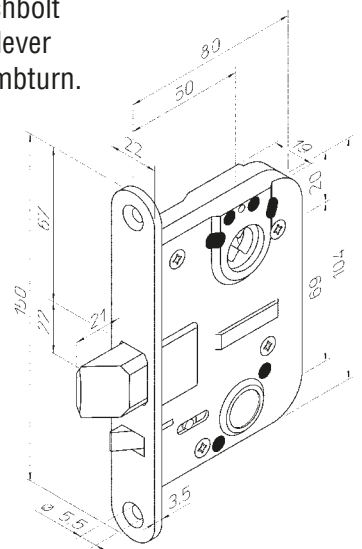
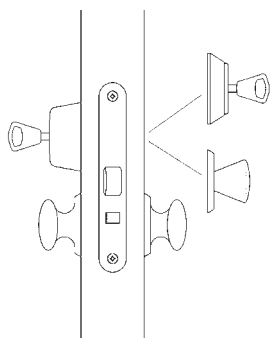
Striker plate 4690, 4691, LP711, LP714,
LP721, LP731

Finish Fe/ZL

Cylinder ABLOY® C, N, T, U

Fire resistance: Wooden doors EI15 – EI60 and
EI215 – EI260,
Metal doors EI115 – EI120 and
EI215 – EI2120

Mortise standard SFS 5209. Please see page 58



ABLOY® 4195

Lock case with an automatically deadlocking latchbolt. The latchbolt can be retained inside the lock case. Deadlocking is controlled by a snib in the front plate. The lock has no lever handle operation.

Snib position:

UP = Deadlocking, latchbolt protrudes 21 mm. The lock can be opened only with a key or a thumbturn.

DOWN = Latchbolt is retained inside the lock case.

The door is kept closed by using a door closer.

4195X is the microswitch version of the lock. The switch changes its status when the latchbolt leaves its day locking position, i.e. the bolt protrudes 15 mm or more.

Following striker plates are recommended to be used with a microswitch locking box: 4692, 4693.

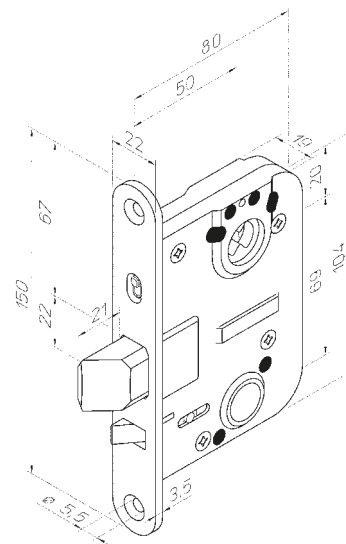
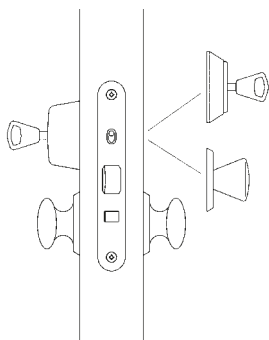
Striker plate 4690, 4691, LP711, LP714, LP721, LP731

Finish Fe/ZL

Cylinder ABLOY® C, N, T, U

Fire resistance –

Mortise standard SFS 5209 Please see page 58



ABLOY® 4195T

Lock case with an automatically deadlocking latchbolt. The latchbolt can be retained inside the lock case and deadlocking is controlled with a rotating snib, operated by a square key, in the forend. The lock has no lever handle function.

Snib function:

TURN CLOCKWISE = Deadlocking, latchbolt protrudes 21 mm.

The lock can be opened only with a key or a thumbturn.

TURN ANTICLOCKWISE = Latchbolt is retained inside the lock case. The door is kept closed by using a door closer. 4195TX is the microswitch version of the lock. The switch changes its status when the latchbolt leaves its day locking position, i.e. the bolt protrudes 15 mm or more.

Following striker plates are recommended to be used with a microswitch locking box: 4692, 4693.

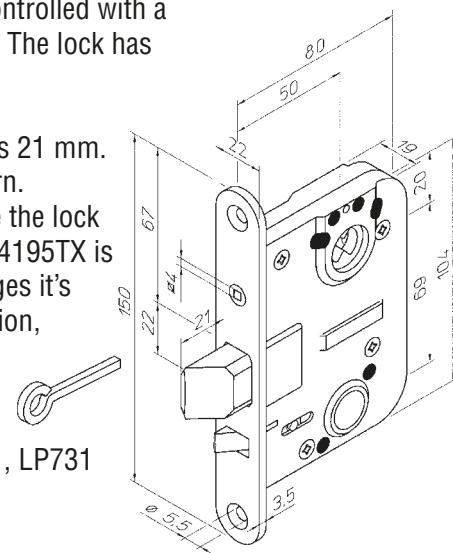
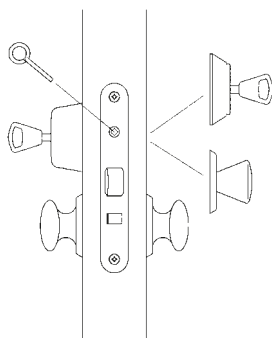
Striker plate 4690, 4691, LP711, LP714, LP721, LP731

Finish Fe/ZL

Cylinder ABLOY® C, N, T, U

Fire resistance –

Mortise standard SFS 5209. Please see page 58



ABLOY® 4197

Lock case with a cylinder function for fire doors.

The lock is opened by a key or a thumbturn.

The non-deadlocking latchbolt protrudes 14 mm.

The lock can also be used with electromechanical striker plates.

Following striker plates are recommended to be used with a microswitch locking box: 4692, 4693

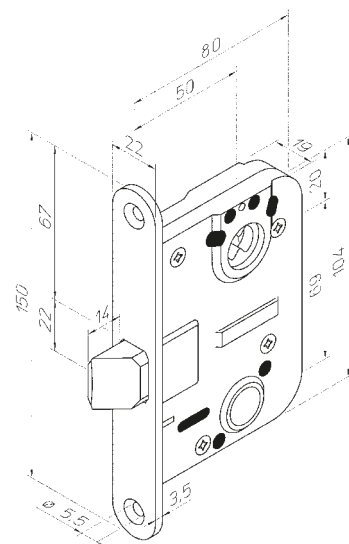
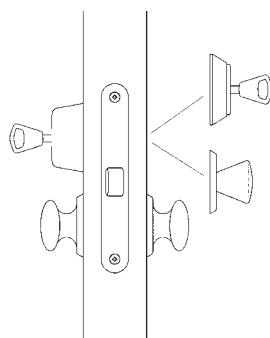
Striker plate 4690, 4691, LP711, LP714, LP721, LP731

Finish Fe/ZL

Cylinder ABLOY® C, N, T, U

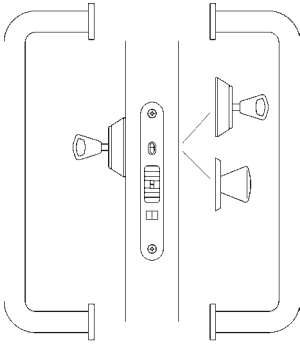
Fire resistance: Wooden doors EI15 – EI160 and EI215 – EI260, Metal doors EI15 – EI120 and EI215 – EI2120

Mortise standard SFS 5209. Please see page 58



ABLOY® 4960

Lock case with an automatically deadlocking hookbolt for folding and sliding doors. The deadlocking is controlled by a snib in the forend.



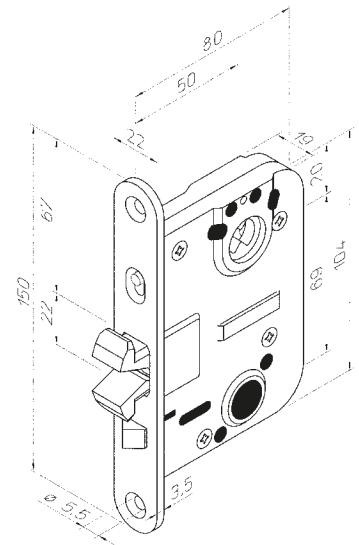
Snib position:

UP = Deadlocking, when the door is closed.

The lock can be opened with a key or a thumbturn.

DOWN = Hookbolt is retained inside the lock case.

Striker plate	4662
Finish	Fe/ZL
Cylinder	ABLOY® C, N, T, U
Fire resistance	–
Mortise standard	SFS 5209 Please see page 58



ABLOY® E4190

Exit lock cases with automatic deadlocking latchbolt for wooden doors with one blade. The door is opened from outside with a lever handle. The lock case fulfils the requirements of the European standard for exit products SFS-EN179 and SFS-EN1125 and the requirements of the lock case standard SFS-EN12209.



The lock is always opened from the inside by a lever handle, push pad or panic bar.

Deadlocking is controlled by a snib in the front plate. Using of the snib is normally blocked. The snib is released by turning the key.

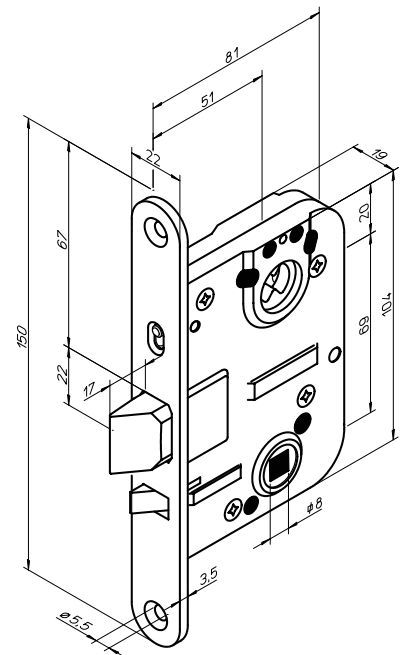
Snib position:

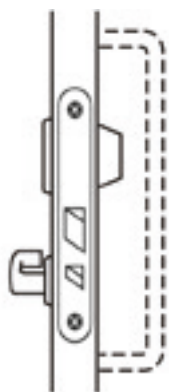
UP = Deadlocking, latchbolt protrudes 17 mm

The lock can be opened from outside by key only and from inside by a lever handle, push pad or panic bar.

DOWN = Latchbolt protrudes 14 mm. The lock can be opened from outside by lever handle also.

Striker plate	LP711, LP714, LP721, LP731, 4690, 4691
Finish	Fe/ZL
Cylinder	ABLOY® C, N, T, U
Fire resistance:	Wooden doors EI ₁₅ – EI ₁₆₀ and EI ₂₁₅ – EI ₂₆₀ , Metal doors EI ₁₅ – EI ₁₂₀ and EI ₂₁₅ – EI ₂₁₂₀
Mortise standard	SFS 5209



ABLOY® E4194

Exit lock case with automatic deadlocking latchbolt for wooden doors with one blade. The door is opened from outside with a door pull.

The lock case fulfils the requirements of the European standard for exit products SFS-EN179 and SFS-EN1125 and the requirements of the lock case standard SFS-EN12209.

The lock is always opened from the inside by a lever handle, push pad or panic bar.

The lock is deadlocked always when the door is closed. Latchbolt protrudes 17 mm.

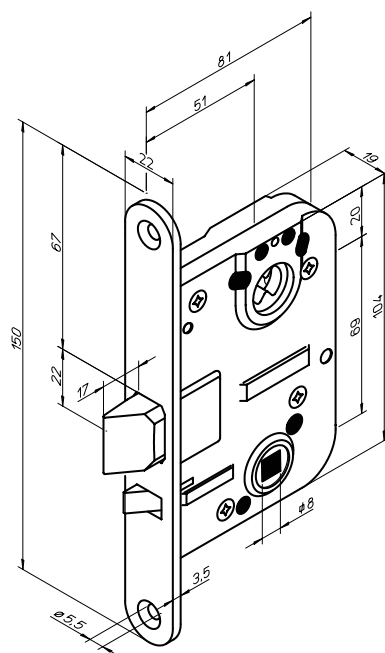
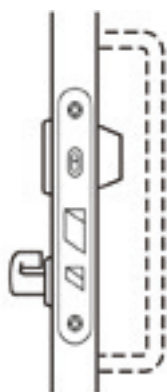
Striker plate LP711, LP714, LP721, LP731, 4690, 4691

Finish Fe/ZL

Cylinder ABLOY® C, N, T, U

Fire resistance: Wooden doors EI₁₅ – EI₆₀ and EI₂₁₅ – EI₂₆₀,
Metal doors EI₁₅ – EI₁₂₀ and EI₂₁₅ – EI₂₁₂₀

Mortise standard SFS 5209

**ABLOY® E4195**

Exit lock case with automatic deadlocking latchbolt for wooden doors with one blade. The door is opened from outside with a door pull.

The lock case fulfils the requirements of the European standard for exit products SFS-EN179 and SFS-EN1125 and the requirements of the lock case standard SFS-EN12209.

The lock is always opened from the inside by a lever handle, push pad or panic bar.

Deadlocking is controlled by a snib in the front plate. Using of the snib is normally blocked. The snib is released by turning the key.

Snib position:

UP = Deadlocking, latchbolt protrudes 17 mm

The lock can be opened from outside by key only and from inside by a lever handle, push pad or panic bar.

DOWN = Latchbolt is retained inside the lock case.

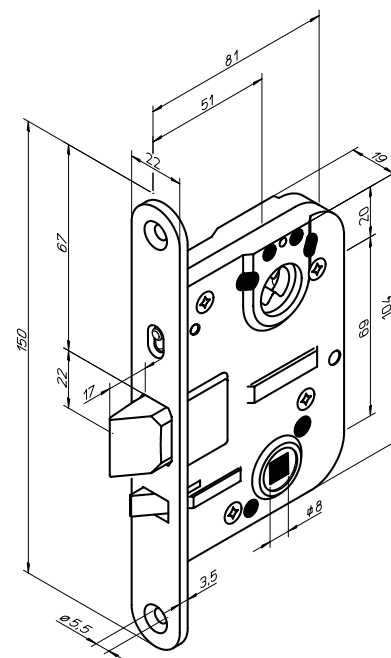
Striker plate LP711, LP714, LP721, LP731, 4690, 4691

Finish Fe/ZL

Cylinder ABLOY® C, N, T, U

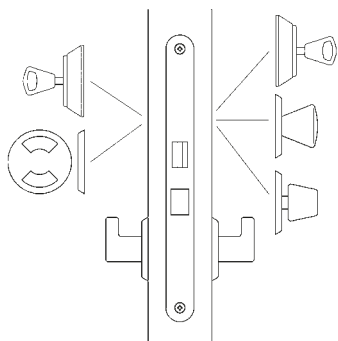
Fire resistance –

Mortise standard SFS 5209



ABLOY® LC200

Lock case with a deadbolt protruding 20 mm and a latchbolt. The deadbolt is locked and retracted by turning the key or thumbturn 90°. A further 5° turn will retract the latchbolt as well. The latchbolt is retracted also by the lever handles.



LC200X is the microswitch version of the lock. The switch changes its status when the bolt has protruded to 20 mm.

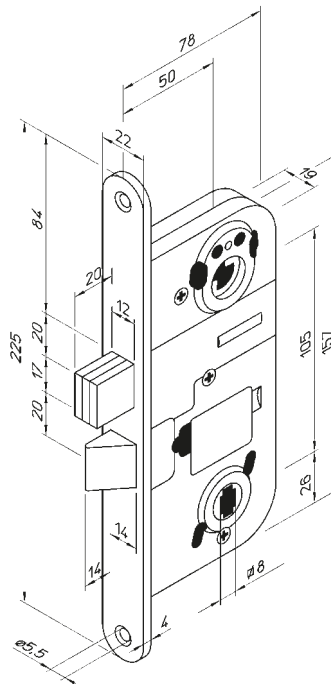
Striker plate LP712, LP717, LP722, LP732, 0034, 0079

Finish Fe/ZL

Cylinder ABLOY® N, T, U, SCAND

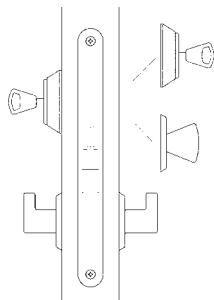
Fire resistance Yes

Mortise standard SFS 5208
SS 81 73 83
Please see page 58



ABLOY® LC210

Security mortise lock (security grade 5 according to EN 12209) with a hardened bolt and drilling protection. The deadbolt has 20 mm bolt throw. The deadbolt is locked and retracted by turning the key 360° or thumbturn 90°.



The key can only be removed when the deadbolt is fully locked or retracted.

The latchbolt is retracted by the lever handles only.

LC210X is the microswitch version of the lock. The switch changes its status when deadbolt protrudes moves to 20 mm.

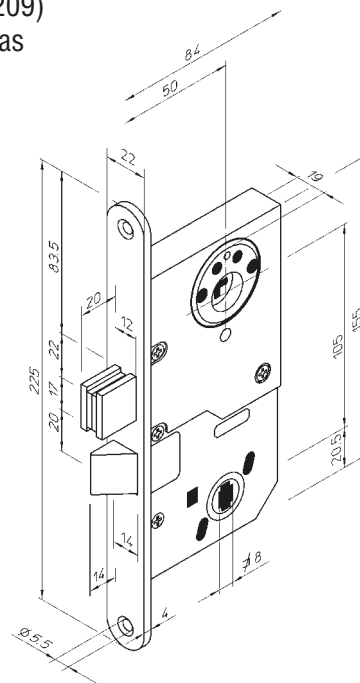
Striker plate LP710, LP712, LP717, LP722, LP732, 0079

Finish Fe/ZL

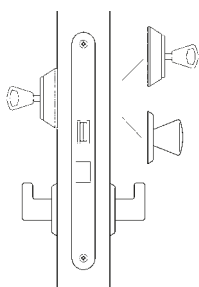
Cylinder ABLOY® C, N, T, U

Fire resistance Yes

Mortise standard SFS 5208
SS 81 73 83
Please see page 58



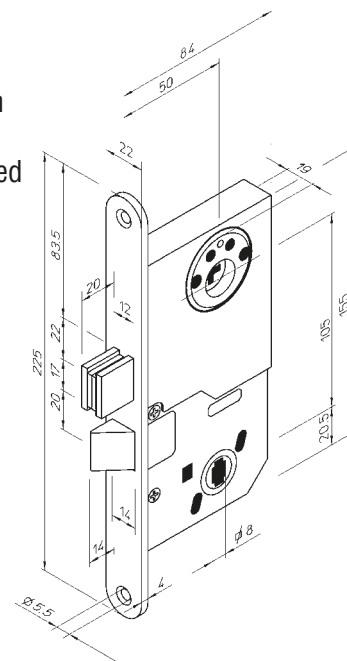
ABLOY® 4865



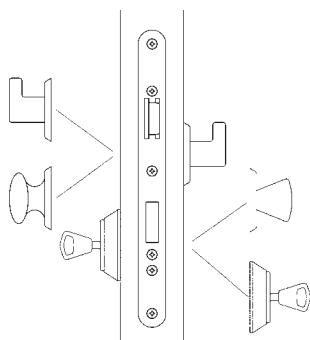
Security mortise lock (security grade 5 according to EN 12209) with a hardened bolt. The deadbolt has a 20 mm bolt throw. The deadbolt is locked and retracted by turning the key 360° or thumbturn 90°. The key can only be removed when the deadbolt is fully locked or retracted. The latchbolt is retracted by the lever handles only. 4865X is the microswitch version of the lock. The switch changes its status when deadbolt moves to 20 mm. The product without drilling protection is P865.

Striker plate LP710, LP712, LP717, LP722, LP732, 0079

Finish Fe/ZL
 Cylinder SCAND
 Fire resistance Yes
 Mortise standard SFS 5208
 SS 81 73 83
 Please see page 58

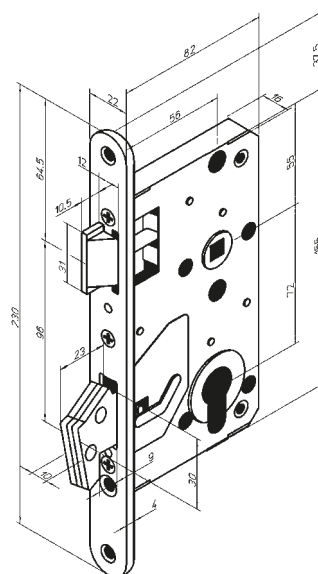


ABLOY® 4272

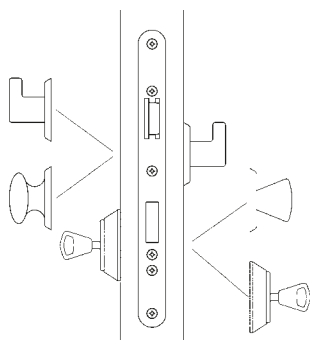


Security lock (security grade 3 according to EN 12209). The hardened hookbolt with intermediate locking positions is locked and retracted by turning the key 360°. The deadbolt protrudes 23 mm. Lock handing can easily be changed by pushing in the latchbolt and turning it 180°. The lock can be used with DIN standard fittings. The lock is applicable also for fire doors. Drilling protection 404252-B, is available as an optional accessory. 4272X is the microswitch version of the lock. The switch changes the status during the last key throw to the locking direction.

Striker plate LP760 R/L
 Finish Fe/ZL
 Cylinder Euro DIN
 Fire resistance Yes
 Mortise standard Please see page 59

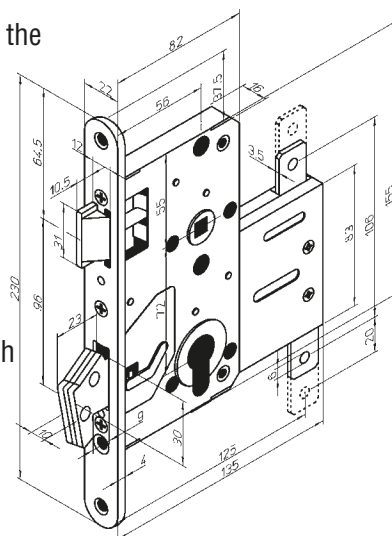


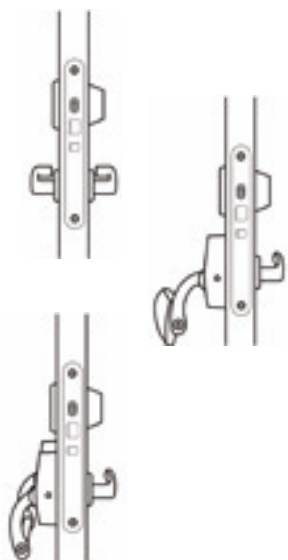
ABLOY® 4272MP



Security lock (security grade 3 according to EN 12209) combined with multipoint module. The hookbolt with intermediate locking position is locked and retracted by turning the key 360°. The deadbolt protrudes 23 mm. Lock handing can easily be changed by pushing in the latchbolt and turning it 180°. Multipoint module provides several multipoint locking applications, see page 67. The lock can be used with DIN standard fittings. The lock is applicable also for fire doors. Drilling protection 404252-B, is available as an optional accessory. 4272MPX is the microswitch version of the lock. The switch changes the status during the last key throw to the locking direction.

Striker plate LP760 R/L
 Finish Fe/ZL
 Cylinder Euro DIN
 Fire resistance Yes
 Mortise standard Please see page 59



ABLOY® LE180

Exit lock cases with automatic deadlocking latchbolt for wooden doors with one blade. The door is opened from outside with a lever handle. The lock case fulfils the requirements of the European standard for exit products SFS-EN179 and SFS-EN1125 and the requirements of the lock case standard SFS-EN12209. The lock is always opened from the inside by a lever handle, push pad or panic bar.

Deadlocking is controlled by a snib in the front plate. Using of the snib is normally blocked. The snib is released by turning the key.

Snib position:

UP = Deadlocking, latchbolt protrudes 17 mm

The lock can be opened from outside by key only and from inside by a lever handle, push pad or panic bar.

DOWN = Latchbolt protrudes 14 mm. The lock can be opened from outside by lever handle also.

LE180X is the microswitch version of the lock. The switch changes the status when latchbolt is protruded from 14 mm to 17 mm.

Following striker plates are recommended to be used with microswitch version: 4692, 4693.

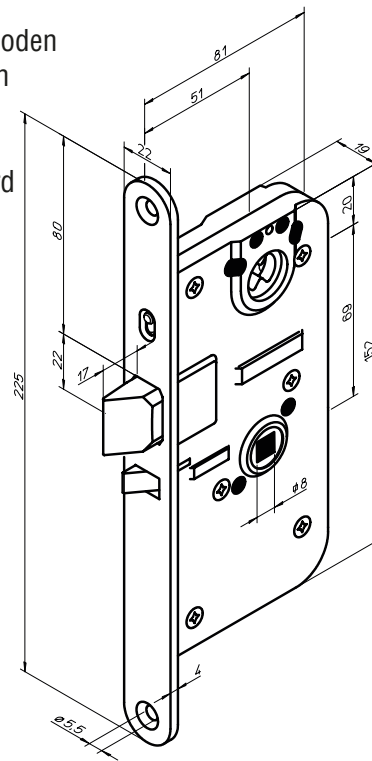
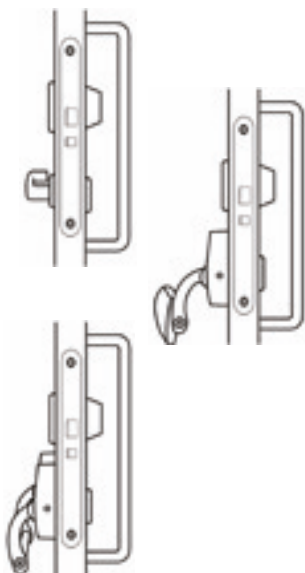
Striker plate LP711, LP714, LP721, LP731

Finish Fe/ZL

Cylinder ABLOY® C, N, T, U

Fire resistance: Wooden doors EI₁₅ - EI₃₀ and EI₂₁₅ – EI₂₃₀,
Metal doors EI₁₅ - EI₁₂₀ and EI₂₁₅ – EI₂₁₂₀

Mortise standard OneFit mortise

**ABLOY® LE184**

Exit lock case with automatic deadlocking latchbolt for wooden doors with one blade. The door is opened from outside with a door pull.

The lock case fulfils the requirements of the European standard for exit products SFS-EN179 and SFS-EN1125 and the requirements of the lock case standard SFS-EN12209. The lock is always opened from the inside by a lever handle, push pad or panic bar.

The lock is deadlocked always when the door is closed.

Latchbolt protrudes 17 mm.

LE184X is the microswitch version of the lock. The switch changes the status when latchbolt is protruded from 14 mm to 17 mm.

Following striker plates are recommended to be used with microswitch version: 4692, 4693.

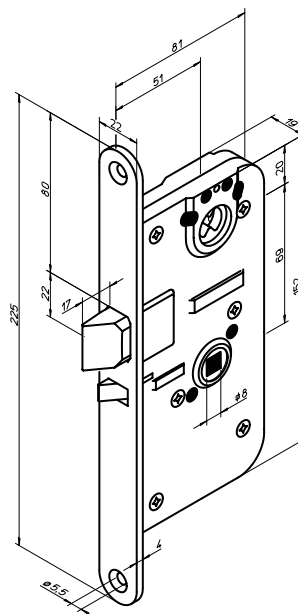
Striker plate LP711, LP714, LP721, LP731

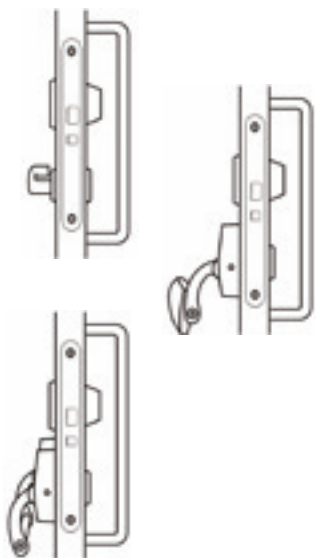
Finish Fe/ZL

Cylinder ABLOY® C, N, T, U

Fire resistance: Wooden doors EI₁₅ - EI₃₀ and EI₂₁₅ – EI₂₃₀,
Metal doors EI₁₅ - EI₁₂₀ and EI₂₁₅ – EI₂₁₂₀

Mortise standard OneFit mortise



ABLOY® LE183

Exit lock case with automatic deadlocking latchbolt for the active side of wooden doors with two blades. The door is opened from outside with a door pull.

The lock case fulfils the requirements of the European standard for exit products SFS-EN179 and SFS-EN1125 and the requirements of the lock case standard SFS-EN12209. The lock is always opened from the inside by a lever handle, push pad or panic bar. The lock is deadlocked always when the door is closed. The latchbolt protrudes 14 mm.

LE183X is the microswitch version of the lock. The switch changes the status when latchbolt is deadlocked.

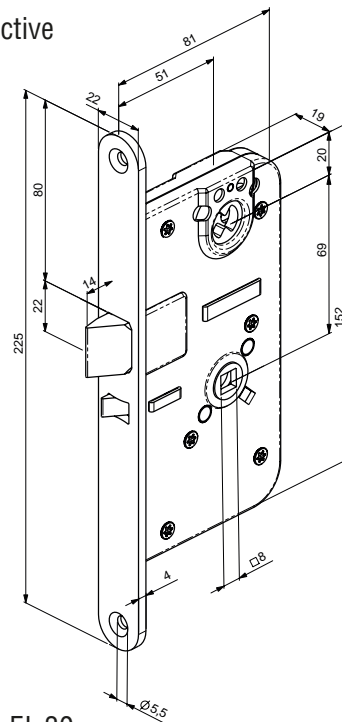
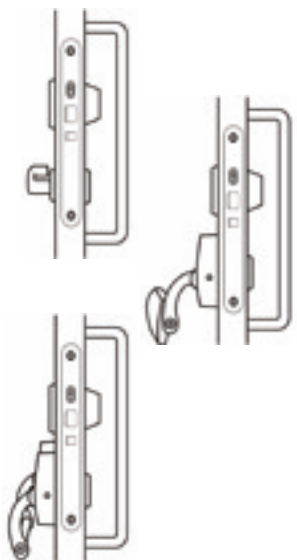
Passive lock case EXH911, EXB911, EXH915

Finish Fe/ZL

Cylinder ABLOY® C, N, T, U

Fire resistance: Wooden doors EI₁₅ - EI₁₃₀ and EI₂₁₅ – EI₂₃₀,
Metal doors EI₁₅ - EI₁₂₀ and EI₂₁₅ – EI₂₁₂₀

Mortise standard OneFit mortise

**ABLOY® LE186**

Exit lock case with automatic deadlocking latchbolt for the active side of wooden doors with two blades. The door is opened from outside with a door pull.

The lock case fulfils the requirements of the European standard for exit products SFS-EN179 and SFS-EN1125 and the requirements of the lock case standard SFS-EN12209. The lock is always opened from the inside by a lever handle, push pad or panic bar. The latchbolt protrudes 14 mm.

Deadlocking is controlled by a snib in the front plate. Using of the snib is normally blocked. The snib is released by turning the key.

Snib position:

UP = Deadlocking

The lock can be opened from outside by key only and from inside by a lever handle, push pad or panic bar.

DOWN = Latchbolt is retained inside the lock case.

LE186X is the microswitch version of the lock. The switch changes the status when latchbolt is deadlocked.

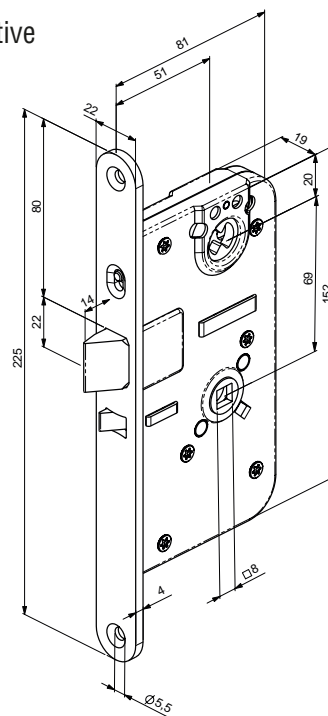
Passive lock case EXH911, EXB911, EXH915

Finish Fe/ZL

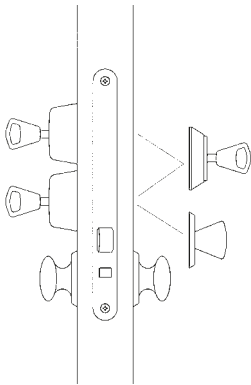
Cylinder ABLOY® C, N, T, U

Fire resistance –

Mortise standard OneFit mortise



ABLOY® LC120



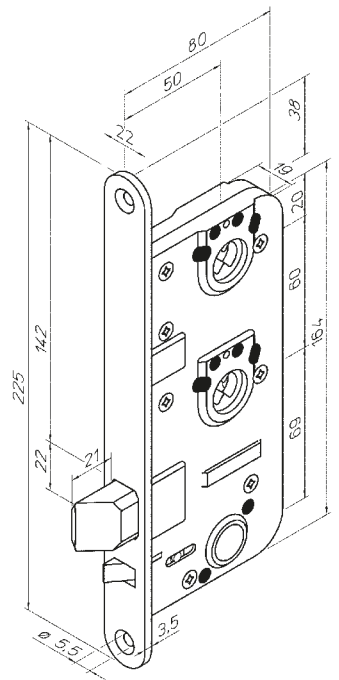
Double cylinder lock case with an automatically deadlocking latchbolt. The latchbolt protrudes 21 mm. The lock is opened with a key or a thumbturn.

The lock can be used in doors, which should be deadlocked always when they are closed.

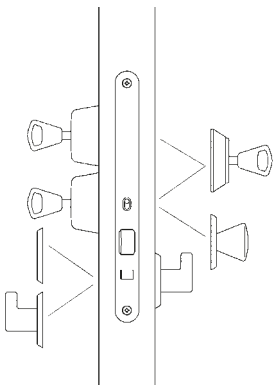
LC120X is the microswitch version of the lock. The switch changes its status when the latchbolt protrudes 15 mm or more.

Striker plates to be used with a microswitch locking box: 4692, 4693.

Striker plate	4690, 4691, LP711, LP714, LP721, LP731
Finish	Fe/ZL
Cylinder	ABLOY® C, N, T, U
Fire resistance	Yes
Mortise standard	Please see page 60



ABLOY® LC121



Double cylinder lock case with an automatically deadlocking latchbolt. The deadlocking is controlled by a snib in the front plate.

Snib position:

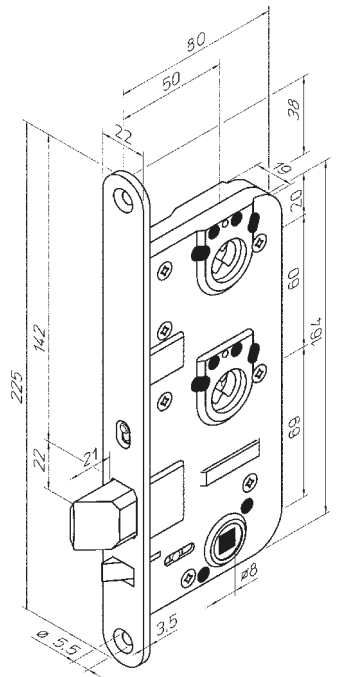
UP = Deadlocking, latchbolt protrudes 21 mm. The lock can be opened only with a key or a thumbturn.

DOWN = Latchbolt protrudes 14 mm.

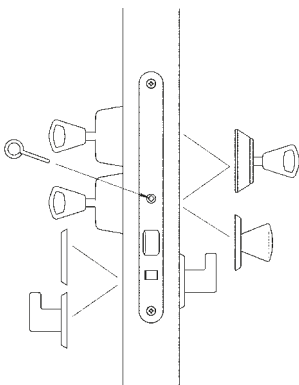
The lock can be opened also with lever handles.

LC121X is the microswitch version of the lock. The switch changes its status when the latchbolt leaves its day locking position, i.e. the bolt protrudes 15 mm or more. Striker plates to be used with a microswitch locking box: 4692, 4693.

Striker plate	4690, 4691, LP711, LP714, LP721, LP731
Finish	Fe/ZL
Cylinder	ABLOY® C, N, T, U
Fire resistance	Yes
Mortise standard	Please see page 60



ABLOY® LC121T



Double cylinder lock case with an automatically deadlocking latchbolt. The deadlocking function is controlled with a rotating snib, operated by a square key, in the forend.

Snib function:

TURN CLOCKWISE = Deadlocking, latchbolt protrudes 21 mm.

The lock can be opened only with a key or thumbturn.

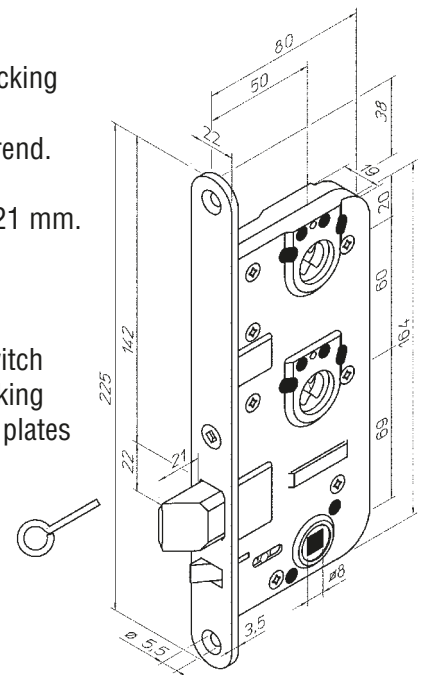
TURN ANTICLOCKWISE = Latchbolt protrudes 14 mm.

The lock can be opened with a lever handle also.

LC121TX is the microswitch version of the lock. The switch changes its status when the latchbolt leaves its day locking position, i.e. the bolt protrudes 15 mm or more. Striker plates to be used with a microswitch locking box: 4692, 4693.

Striker plate	4690, 4691, LP711, LP714, LP721, LP731
---------------	----------------------------------------

Finish	Fe/ZL
Cylinder	ABLOY® C, N, T, U
Fire resistance	Yes
Mortise standard	Please see page 60



ABLOY® LC122

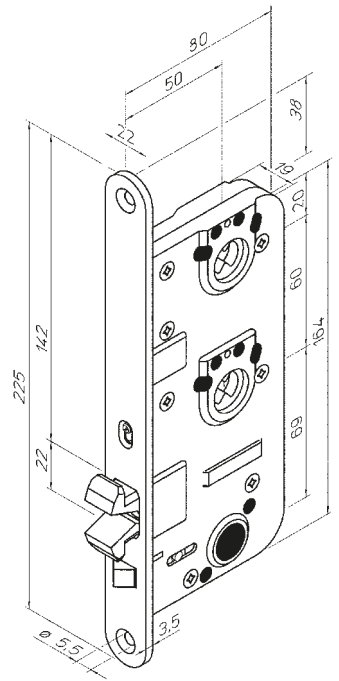
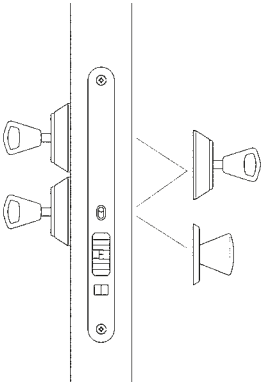
Double cylinder lock case with an automatically deadlocking hookbolt for folding and sliding doors. The deadlocking is controlled by the snib in the forend.

Snib position:

UP = Deadlocking, when the door is closed. The lock can be opened with a key or thumbturn.

DOWN = Hookbolt is retained in the lock case.

- Striker plate 4662
- Finish Fe/ZL
- Cylinder ABLOY® C, N, T, U
- Fire resistance –
- Mortise standard Please see page 60

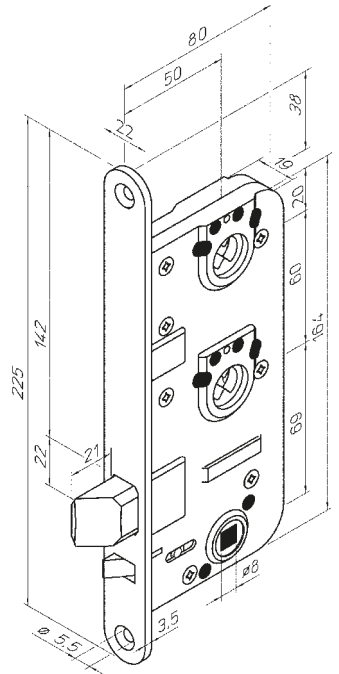
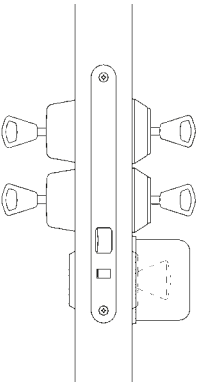


ABLOY® LC123

Double cylinder lock case with an automatically deadlocking latchbolt for emergency exit doors. Latchbolt protrudes 21 mm. The lock case has a double cylinder and an exit thumbturn. The lock can be opened with a key or an exit thumbturn. LC123X is the microswitch version of the lock. The switch changes it's status when the latchbolt protrudes 15 mm or more.

Striker plates to be used with a microswitch locking box: 4692, 4693.

- Striker plate 4690, 4691, LP711, LP714, LP721, PL731
- Finish Fe/ZL
- Cylinder ABLOY® C, N, T, U
- Fire resistance Yes
- Mortise standard Please see page 60



ABLOY® LC125

Double cylinder lock case with an automatically deadlocking latchbolt. The latchbolt can be retained inside the lock case. The lock has no lever handle function.

The deadlocking is controlled by a snib in the forend.

Snib position:

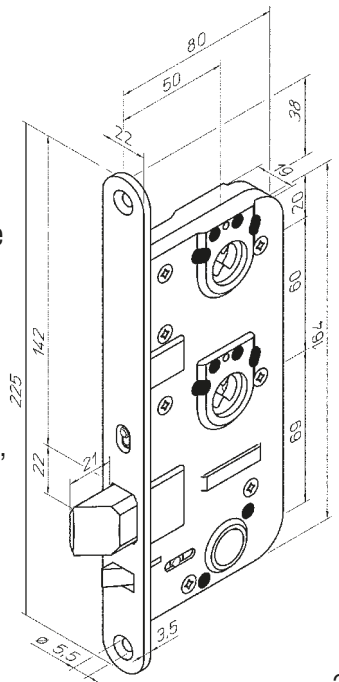
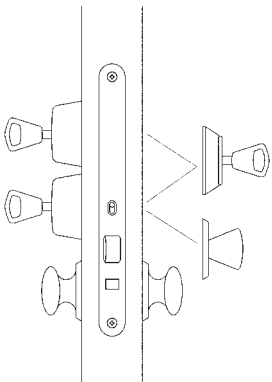
UP = Deadlocking, latchbolt protrudes 21 mm. The lock can be opened with a key or thumbturn.

DOWN = Latchbolt is retained inside the lock case.

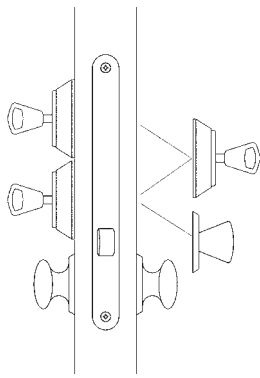
LC125X is the microswitch version of the lock. The switch changes it's status when the latchbolt protrudes 15 mm or more.

Striker plates to be used with a microswitch locking box: 4692, 4693.

- Striker plate 4690, 4691, LP711, LP714, LP721, LP731
- Finish Fe/ZL
- Cylinder ABLOY® C, N, T, U
- Fire resistance –
- Mortise standard Please see page 60

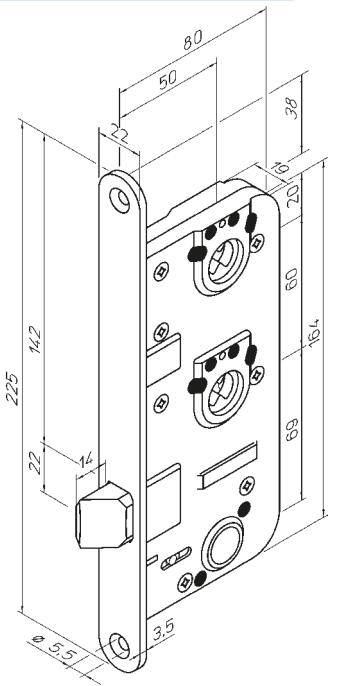


ABLOY® LC127

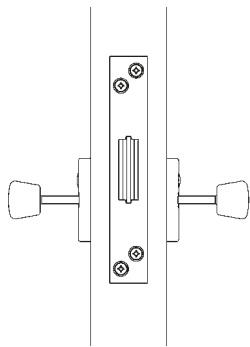


Double cylinder lock case for fire doors. The lock has a cylinder function only and is opened with a key or thumbturn. The latchbolt protrudes 14 mm. The lock can be used with electromechanical striker plate also. Striker plates to be used with a microswitch locking box: 4692, 4693.

Striker plate 4690, 4691, LP711, LP714, LP721, LP731
 Finish Fe/ZL
 Cylinder ABLOY® C, N, T, U
 Fire resistance Yes
 Mortise standard Please see page 60



ABLOY® SL905



Security lock (security grade 7 according to EN 12209) with more than 1 000 000 key combinations.

The lock is equipped with a hardened hook bolt, which is locked by turning the key 360°.

The patented key can only be removed when the deadbolt is fully locked or retracted.

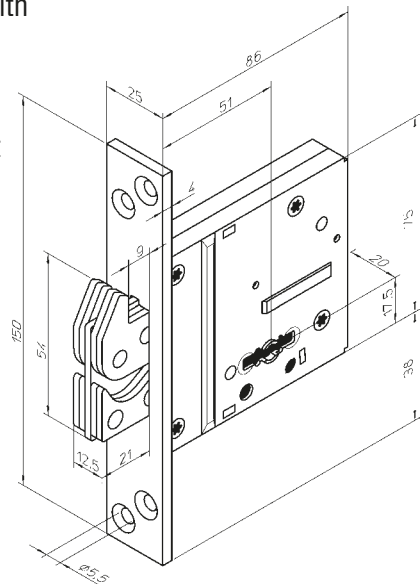
The hookbolt protrudes 20 mm.

The lock can be easily installed into the same mortise as ABLOY® 428 security lock.

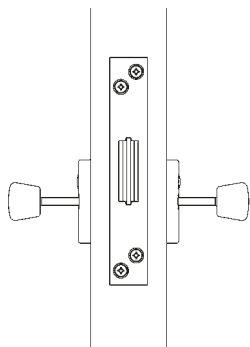
SL905X is the microswitch version of the lock.

The switch changes the status during the last ¼ turn of the key to the locking direction.

Striker plate LP780, LP81
 Finish Fe/ZL
 Fire resistance –
 Mortise standard Please see page 60



ABLOY® SL905MP



Security lock (security grade 7 according to EN 12209) with more than 1 000 000 key combinations with multipoint module.

The lock is equipped with a hardened hook bolt, which is locked by turning the key 360°.

The patented key can only be removed when the deadbolt is fully locked or retracted.

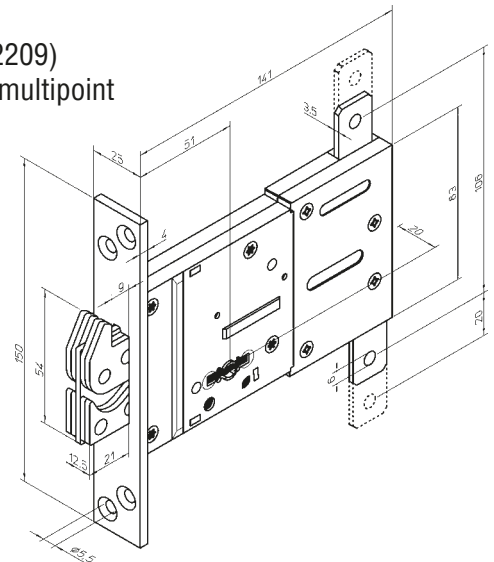
The hookbolt protrudes 20 mm.

Multipoint module provides several multipoint locking applications, please see page 67.

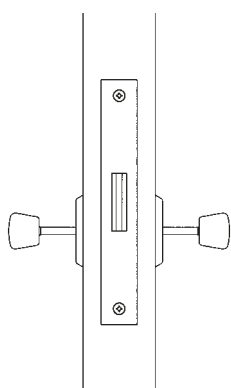
SL905MPX is the microswitch version of the lock.

The switch changes the status during the last ¼ turn of the key to the locking direction.

Striker plate LP780, LP81
 Finish Fe/ZL
 Fire resistance –
 Mortise standard Please see page 60

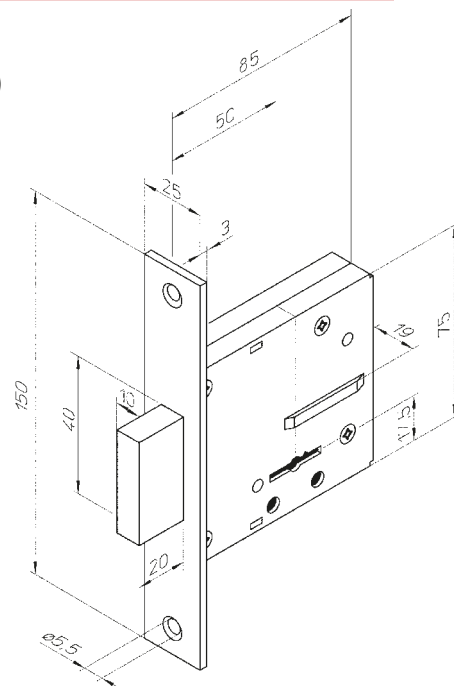


ABLOY® SL928S

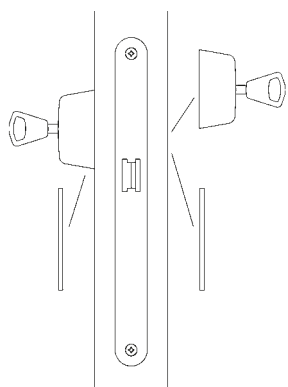


Security lock (security grade 7 according to EN 12209) with 100 000 key combinations.
 The lock is locked by turning the key 360 degrees.
 The key can only be removed when the deadbolt is fully locked or retracted.
 The hookbolt protrudes 20 mm.
 The lock can be easily installed into the same mortise as ABLOY® 428 security lock.
 SL928X is the microswitch version of the lock.
 The switch changes the status during the last ¼ turn of the key to the locking direction.

Striker plate 0036, 0065
 Finish Fe/ZL
 Fire resistance –
 Mortise standard Please see page 60

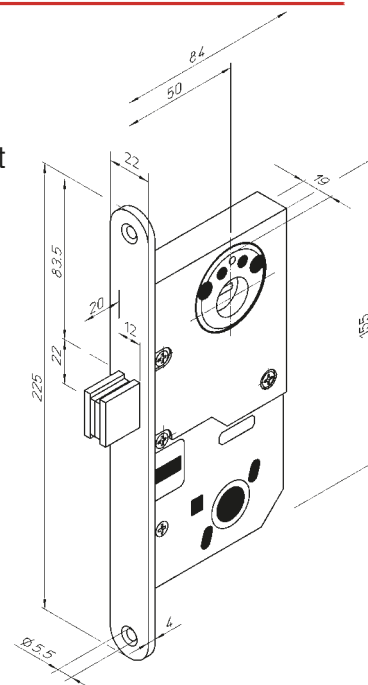


ABLOY® 4181

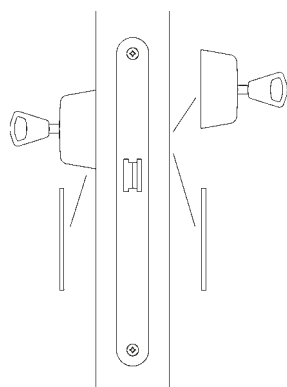


Security lock case (comparable with security grade 5 according to EN 12209) with hardened bolt and drilling protection. The key can only be removed when the deadbolt is fully locked or retracted.
 4181X is the microswitch version of the lock. The switch changes it's status when deadbolt moves to 20 mm.

Striker plate 4690, 4691, LP710, LP711, LP714, LP721, LP731
 Finish Fe/ZL
 Cylinder ABLOY® C, N, T, U
 Fire resistance –
 Mortise standard SFS 5208
 SS 81 73 83
 Please see page 58

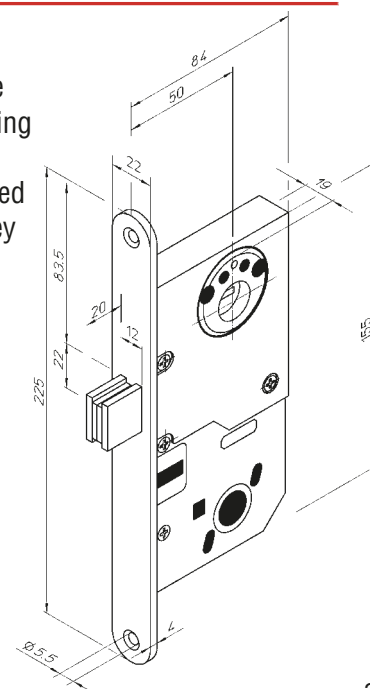


ABLOY® LC211

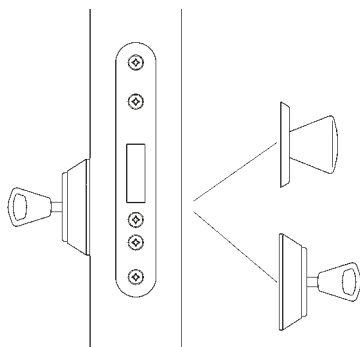


Security mortise lock case (comparable with security grade 5 according to EN 12209) with hardened deadbolt and drilling protection.
 The deadbolt has a 20 mm bolt throw. The deadbolt is locked and retracted by turning the key or thumbturn 360°. The key can only be removed when the deadbolt is fully locked or retracted.
 LC211X is the microswitch version of the lock. The switch changes it's status when deadbolt moves to 20 mm.

Striker plate 4690, 4691, LP710, LP712, LP717, LP722, LP732
 Finish Fe/ZL
 Cylinder ABLOY® N, T, U
 Fire resistance –
 Mortise standard SFS 5208
 SS 81 73 83
 Please see page 58



ABLOY® 4232



Security lock (comparable with security grade 3 according to EN 12209). The hardened hookbolt with intermediate locking position is locked and retracted by turning the key 360°. The deadbolt protrudes 23 mm.

The lock can be used with DIN standard fittings. Drilling protection 404252-B, is available as an optional accessory.

4232X is the microswitch version of the lock. The switch changes the status during the last key throw to the locking direction.

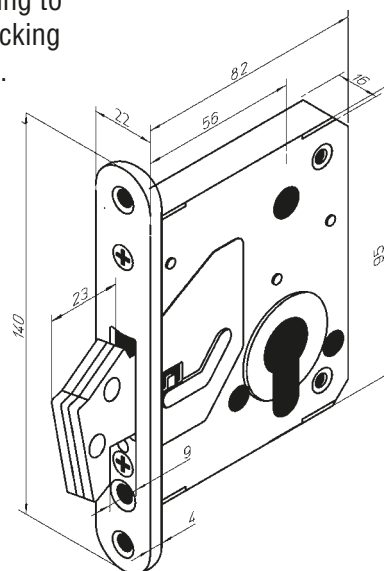
Striker plate 0036, 0065, LP763

Finish Fe/ZL

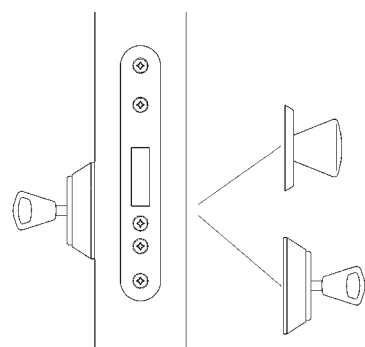
Cylinder Euro DIN

Fire resistance –

Mortise standard Please see page 61



ABLOY® 4232MP



Security lock (comparable with security grade 3 according to EN 12209) combined with multipoint module. The hardened hookbolt with intermediate locking position is locked and retracted by turning the key 360°. The deadbolt protrudes 23 mm. Multipoint module provides several multipoint locking applications, please see page 67.

The lock can be used with DIN standard fittings. Drilling protection 404252-B, is available as an optional accessory.

4232MPX is the microswitch version of the lock.

The switch changes the status during the last key throw to the locking direction.

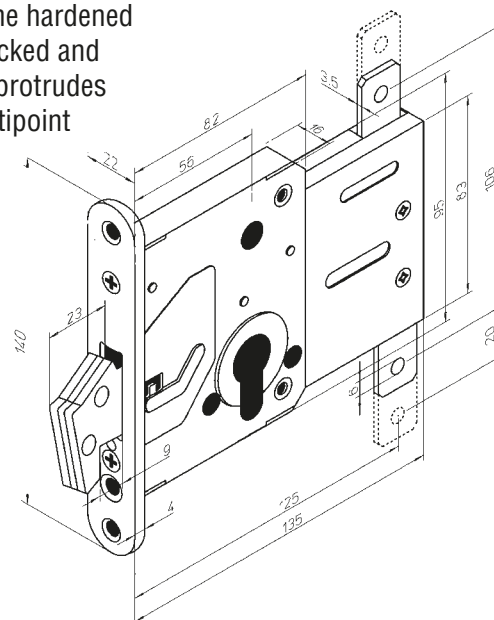
Striker plate 0036, 0065, LP763

Finish Fe/ZL

Cylinder Euro DIN

Fire resistance –

Mortise standard Please see page 61



ABLOY® LC306

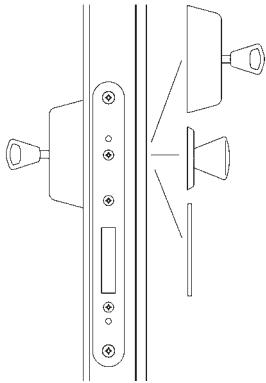
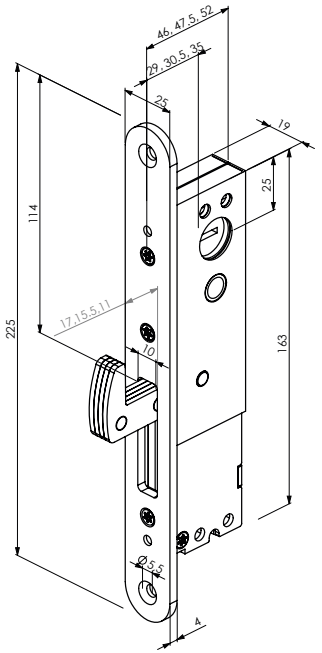
Security lock case (comparable with security grade 5 according to EN 12209) for narrow profile doors.

Operates with key from either side with a double cylinder or from outside with a cylinder and inside with a special thumb-turn or from one side only with a single cylinder.

The key can only be removed when the hardened hookbolt is fully locked or retracted.

LC306X is the microswitch version of the lock. The switch changes the status when the hookbolt moves from unlocked to locked position.

- Striker plate 4655, LP707
- Finish Fe/ZL
- Cylinder ABLOY® C, N, T, U
- Fire resistance –
- Mortise standard Please see page 61



ABLOY® LC306H

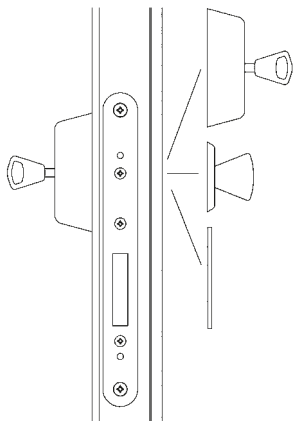
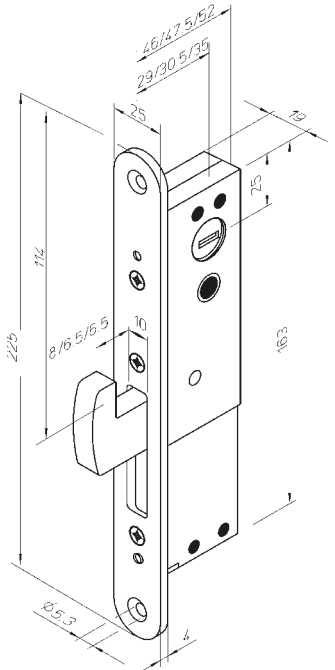
Security lock case (comparable with security grade 5 according to EN 12209) with hookbolt, reinforced against pulling loads for narrow profile sliding doors.

Operates with key from either side with a double cylinder or from outside with a cylinder and inside with a special thumb-turn or from one side only with a single cylinder.

The key can only be removed when the hardened hookbolt is fully locked or retracted.

LC306HX is the microswitch version of the lock. The switch changes the status when the hookbolt moves from unlocked to locked position.

- Striker plate LP708
- Finish Fe/ZL
- Cylinder ABLOY® C, N, T, U
- Fire resistance –
- Mortise standard Please see page 61



ABLOY® LC307

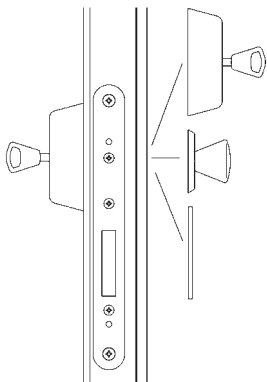
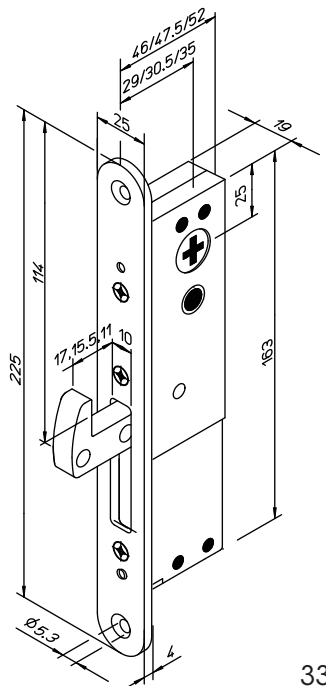
Security lock case (comparable with security grade 5 according to EN 12209) for narrow profile doors.

Operates with key from either side with a double cylinder or from outside with a cylinder and inside with a thumbturn or from one side only with a single cylinder.

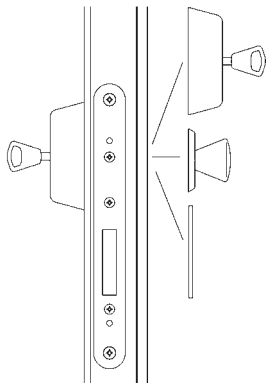
The key can only be removed when the hardened hookbolt is fully locked or retracted.

LC307X is the microswitch version of the lock. The switch changes the status when the hookbolt moves from unlocked to locked position.

- Striker plate 4655, LP707
- Finish Fe/ZL
- Cylinder ABLOY® N, T, U, SCAND
- Fire resistance –
- Mortise standard Please see page 61



ABLOY® LC307H



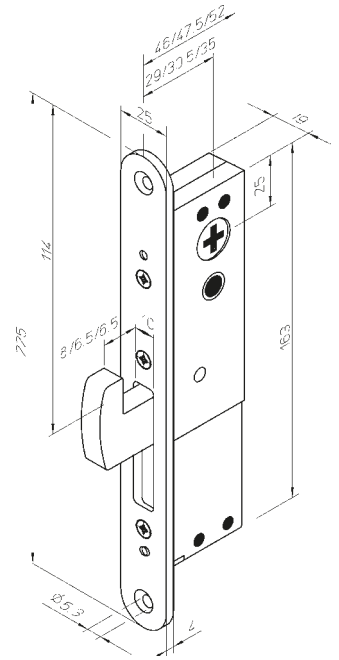
Security lock case (comparable with security grade 5 according to EN 12209) with hookbolt, reinforced against pulling loads for narrow profile sliding doors.

Operates with key from either side with a double cylinder or from outside with a cylinder and inside with a thumbturn or from one side only with a single cylinder.

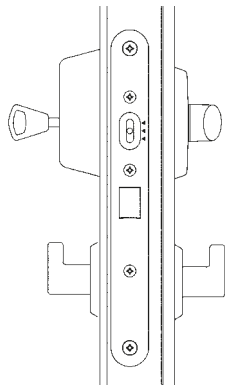
The key can only be removed when the hardened hookbolt is fully locked or retracted.

LC307HX is the microswitch version of the lock. The switch changes the status when the hookbolt moves from unlocked to locked position.

Striker plate	LP708
Finish	Fe/ZL
Cylinder	ABLOY® N, T, U, SCAND
Fire resistance	–
Mortise standard	Please see page 61



ABLOY® LC300



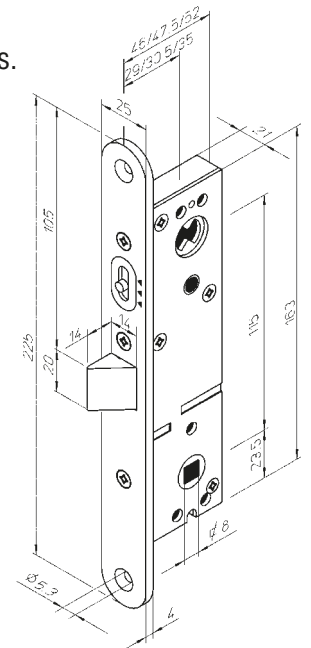
Non-deadlocking mortise lock for narrow profile entrance doors. The lock is opened by a key or a thumbturn (or handles if in use).

Can be used with electromechanical striker plate.

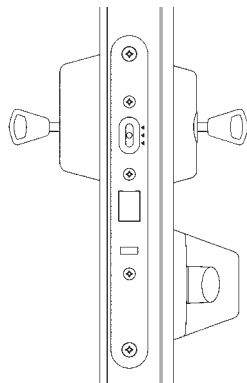
The sliding button is locked in the MIDDLE position.

LC300X is the microswitch version of the lock. The switch changes its status when the latchbolt protrudes 9 mm or more.

Striker plate	4613, 4614, LP702, LP703
Finish	Fe/ZL
Cylinder	ABLOY® C, N, T, U, SCAND
Fire resistance	EI ₁₅ -EI ₆₀ and EI ₂₁₅ -EI ₂₆₀
Mortise standard	Please see page 62



ABLOY® LC301



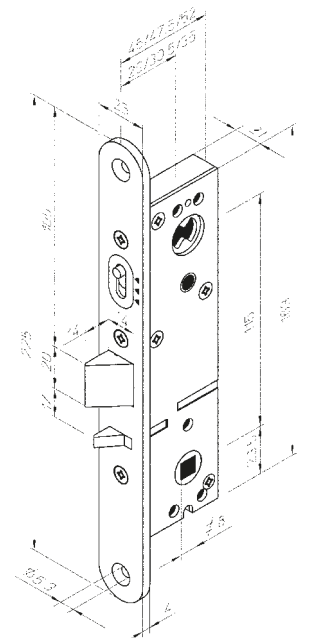
Automatically deadlocking lock for narrow profile emergency exit doors. The lock can be opened either with a key (outside and inside) or by using an emergency thumbturn (sliding snib in UP position).

Latchbolt can be retained inside the lock case (sliding snib in DOWN position).

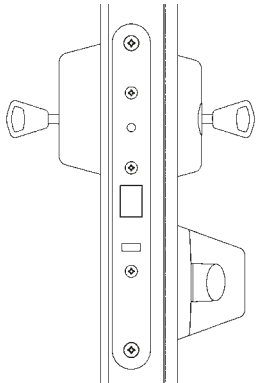
Sliding snib is released only when turning the key.

LC301X is the microswitch version of the lock. The switch changes its status when the latchbolt protrudes 9 mm or more.

Striker plate	4613, 4614, LP702, LP703
Finish	Fe/ZL
Cylinder	ABLOY® C, N, T, U, SCAND
Fire resistance	–
Mortise standard	Please see page 62



ABLOY® LC301F



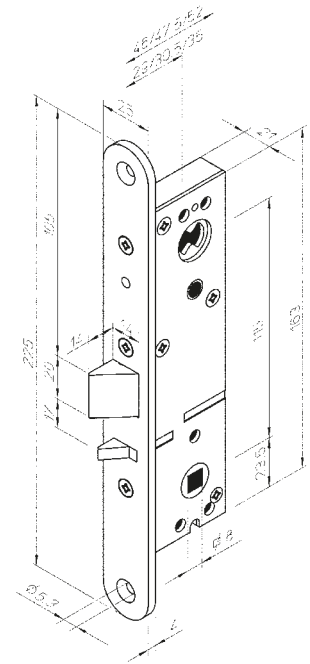
Automatically deadlocking lock for fire resisting narrow profile emergency exit doors.

The lock can be opened either with a key (outside and inside) or by using an emergency thumbturn.

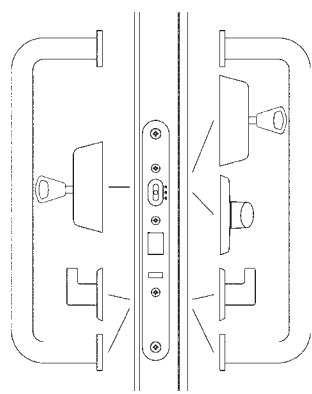
There is no sliding snib. Automatic deadlocking when the door is closed.

LC301FX is the microswitch version of the lock. The switch changes it's status when the latchbolt protrudes 9 mm or more.

- Striker plate 4613, 4614, LP702, LP703
- Finish Fe/ZL
- Cylinder ABLOY® C, N, T, U, SCAND
- Fire resistance EI₁15-EI₁60 and EI₂15-EI₂60
- Mortise standard Please see page 62



ABLOY® LC302



Automatically deadlocking lock for narrow profile doors.

Function is determined by sliding snib on forend:

UP position = automatic deadlocking. Opened by a key from either side, or by a thumbturn from inside.

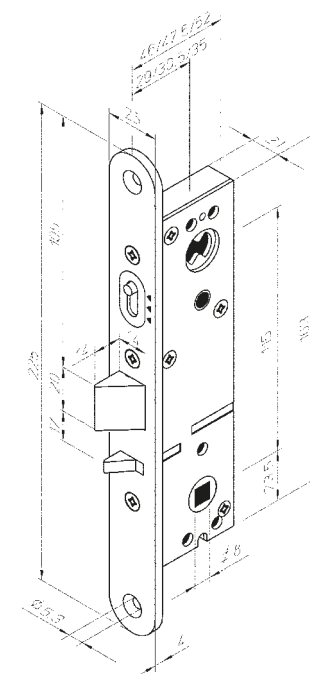
MIDDLE position = lock is latched and operates also with handles.

DOWN position = latchbolt is retained inside the lock case.

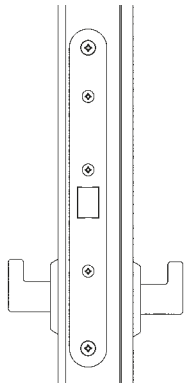
Sliding snib is released only when turning the key (or thumbturn).

LC302X is the microswitch version of the lock. The switch changes it's status when the latchbolt protrudes 9 mm or more.

- Striker plate 4613, 4614, LP702, LP703
- Finish Fe/ZL
- Cylinder ABLOY® C, N, T, U, SCAND
- Fire resistance –
- Mortise standard Please see page 62

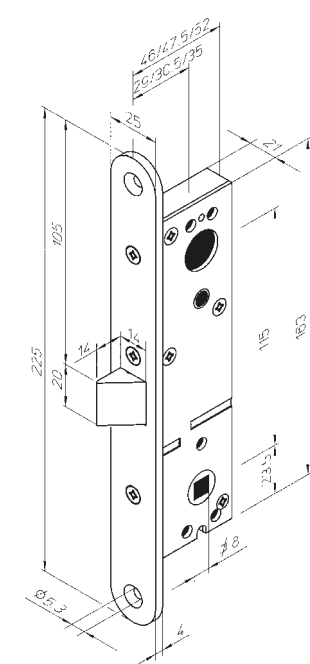


ABLOY® LC303

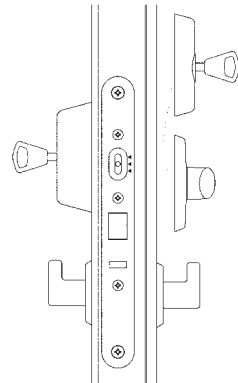


Mortise latch for narrow profile doors with lever handle function only.

- Striker plate 4613, 4614, LP702, LP703
- Finish Fe/ZL
- Fire resistance EI₁15-EI₁60 and EI₂15-EI₂60
- Mortise standard Please see page 62



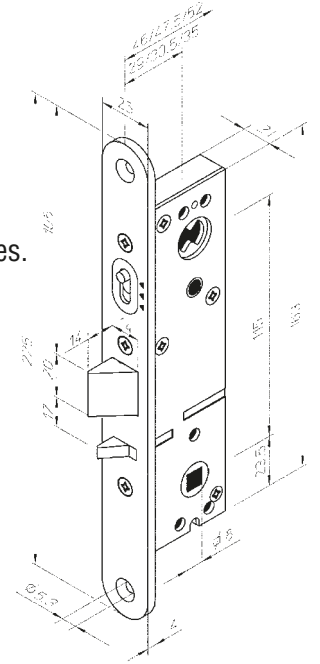
ABLOY® LC305



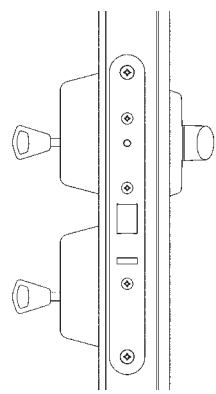
Automatically deadlocking lock for narrow profile doors. Primarily for doors which must always be latched (e.g. fire doors) and where deadlocking is needed. Function is determined by a sliding snib on forend: UP position = automatic deadlocking. Operates by a key (or a thumbturn) from either side. MIDDLE position = lock is latched and operates also with handles. DOWN position = not in use. Sliding snib is released only when turning the key (or thumbturn).

LC305X is the microswitch version of the lock. The switch changes it's status when the latchbolt protrudes 9 mm or more.

- Striker plate 4613, 4614, LP702, LP703
- Finish Fe/ZL
- Cylinder ABLOY® C, N, T, U, SCAND
- Fire resistance EI₁15-EI₁60 and EI₂15-EI₂60
- Mortise standard Please see page 62



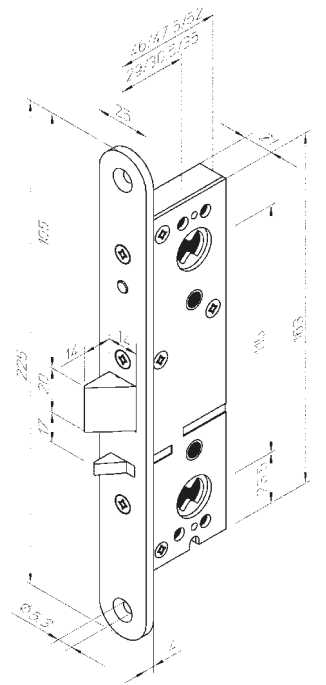
ABLOY® LC130



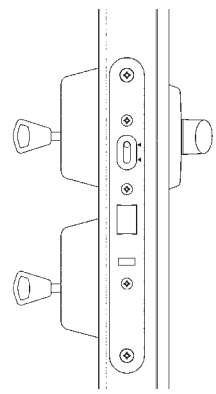
Double cylinder lock case with an automatic deadlocking for narrow profile doors. Automatic deadlocking when the door is closed. The lock is opened with a key or a thumbturn. The cylinder and thumbturn which is used more is recommended to be installed higher up.

The lock can be fitted with a thumbturn and/or a one sided or a double sided cylinder. The lower cylinder is installed upside down due to the construction of the lock. LC130X is the microswitch version of the lock. The switch changes it's status when the latchbolt protrudes 9 mm or more.

- Striker plate 4613, 4614, LP702, LP703
- Finish Fe/ZL
- Cylinder ABLOY® C, N, T, U, SCAND
- Fire resistance EI₁15-EI₁60 and EI₂15-EI₂60
- Mortise standard Please see page 62



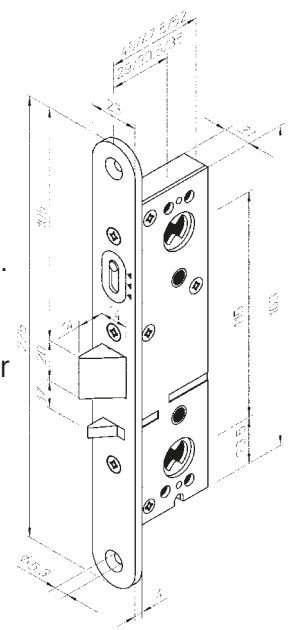
ABLOY® LC131



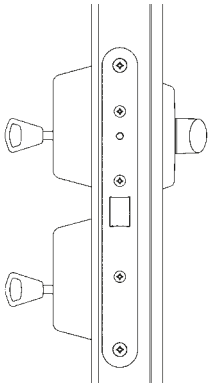
Double cylinder lock case with an automatic deadlocking for narrow profile doors equipped with a door closer. Function is determined by sliding button on forend: UP/MIDDLE position = automatic deadlocking. Operates by a key or a thumbturn. DOWN position = latchbolt is retained inside the lock case. Sliding snib is released only when turning the key (or thumbturn).

The cylinder and thumbturn which is used more is recommended to be installed higher up. The lock can be fitted with a thumbturn and/or a one sided and a double sided cylinder. The lower cylinder is installed upside down due to the construction of the lock. LC131X is the microswitch version of the lock. The switch changes it's status when the latchbolt protrudes 9 mm or more.

- Striker plate 4613, 4614, LP702, LP703
- Finish Fe/ZL
- Cylinder ABLOY® C, N, T, U, SCAND
- Fire resistance -
- Mortise standard Please see page 62



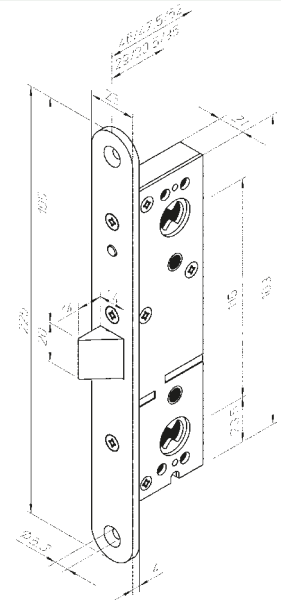
ABLOY® LC132



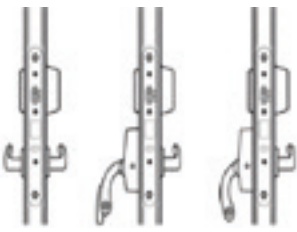
Double cylinder lock case, which is latching always when closing the door. The lock is opened with a key or a thumbturn. The lock can be used with electromechanical striker plate. The cylinder and thumbturn which is used more is recommended to be installed higher up. The locks can be equipped with a thumbturn and/or a one sided or a double sided cylinder. The lower cylinder is installed upside down due to the construction of the lock.

LC132X is the microswitch version of the lock. The switch changes it's status when the latchbolt protrudes 9 mm or more.

Striker plate 4613, 4614, LP702, LP703
 Finish Fe/ZL
 Cylinder ABLOY® C, N, T, U, SCAND
 Fire resistance EI₁15-EI₁60 and EI₂15-EI₂60
 Mortise standard Please see page 62



ABLOY® LE310



Exit lock case with automatic deadlocking latchbolt for profile doors with one blade. The door is opened from outside with a lever handle. The lock case fulfils the requirements of the European standard for exit products SFS-EN179 and SFS-EN1125 and the requirements of the lock case standard SFS-EN12209. The lock is always opened from the inside by a lever handle, push pad or panic bar. The latchbolt protrudes 14 mm.

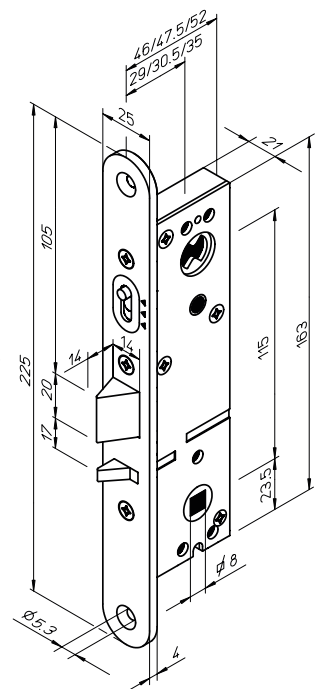
Deadlocking is controlled by a snib in the front plate. Using of the snib is normally blocked. The snib is released by turning the key.

Snib position:

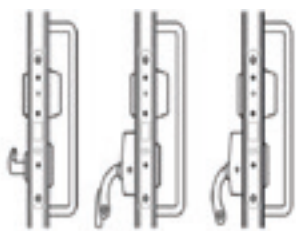
UP = Deadlocked, the lock can be opened from outside by key only and from inside by a lever handle, push pad or panic bar.
 DOWN = Day latching, the lock can be opened from outside by lever handle also.

LE310X is the microswitch version of the lock. The switch changes the status when latchbolt is deadlocked.

Striker plate LP702, LP703
 Finish Fe/ZL
 Cylinder ABLOY® C, N, T, U,
 Fire resistance EI₁15-EI₁60 and EI₂15-EI₂60
 Mortise standard Mortise for profile door lock cases



ABLOY® LE314

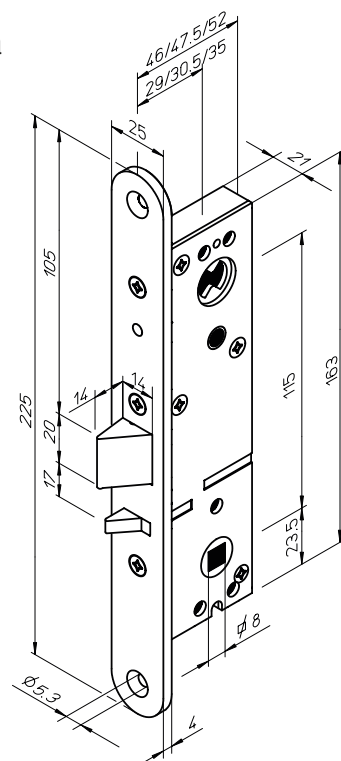


Exit lock case with automatic deadlocking latchbolt for profile doors with one blade. The door is opened from outside with a door pull.

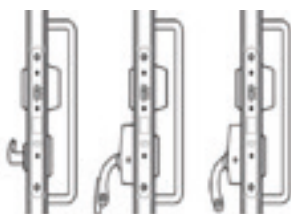
The lock case fulfils the requirements of the European standard for exit products SFS-EN179 and SFS-EN1125 and the requirements of the lock case standard SFS-EN12209. The lock is always opened from the inside by a lever handle, push pad or panic bar. The lock is deadlocked always when the door is closed. The latchbolt protrudes 14 mm.

LE314X is the microswitch version of the lock. The switch changes the status when latchbolt is deadlocked.

Striker plate	LP702, LP703
Finish	Fe/ZL
Cylinder	ABLOY® C, N, T, U,
Fire resistance	EI ₁ 15-EI ₁ 60 and EI ₂ 15-EI ₂ 60
Mortise standard	Mortise for profile door lock cases



ABLOY® LE315



Exit lock case with automatic deadlocking latchbolt for profile doors with one blade. The door is opened from outside with a door pull.

The lock case fulfils the requirements of the European standard for exit products SFS-EN179 and SFS-EN1125 and the requirements of the lock case standard SFS-EN12209. The lock is always opened from the inside by a lever handle, push pad or panic bar. The latchbolt protrudes 14 mm.

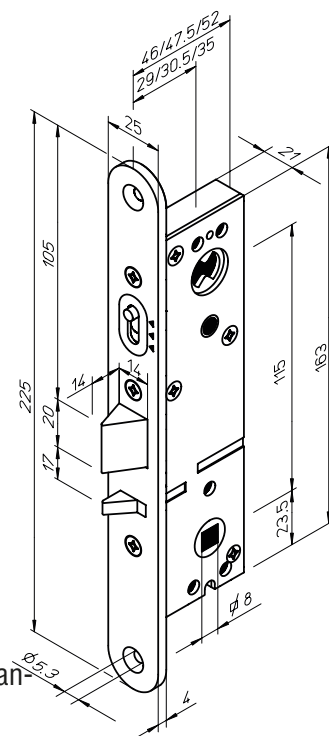
Deadlocking is controlled by a snib in the front plate. Using of the snib is normally blocked. The snib is released by turning the key.

Snib position:
UP = Deadlocked

The lock can be opened from outside by key only and from inside by a lever handle, push pad or panic bar.
DOWN = Latchbolt is retained inside the lock case.

LE315X is the microswitch version of the lock. The switch changes the status when latchbolt is deadlocked.

Striker plate	LP702, LP703
Finish	Fe/ZL
Cylinder	ABLOY® C, N, T, U,
Fire resistance	–
Mortise standard	Mortise for profile door lock cases



ABLOY® 2050 installation box

Surface mounted ABLOY® 2050 installation box is specially designed to be used on glass doors or other door constructions where normal mortice installation is not possible.

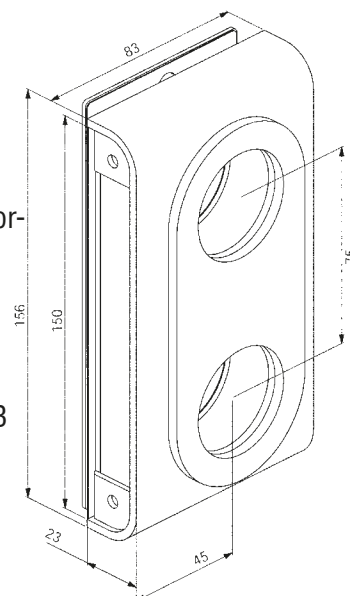
All ABLOY® interior door locks (e.g. ABLOY® 2011, ABLOY® 2014 or ABLOY® 4260) made to fit in a mortice prepared according to standard SFS 5210 can be installed in this box. The delivery includes an installation box in two parts, insulating films to protect the glass, backing plate and installation parts.

Striker plate for wooden door frame 0045, 0055, 0068, 0068B

Striker plate for double door or glass screen 0050

Finish Fe/Mme, Fe/Har, Fe/Cr

Drilling scheme please see page 63



ABLOY® 2051 installation box

Surface mounted ABLOY® 2051 installation box is specially designed to be used on glass doors, gates or other door constructions where normal mortice installation is not possible. All ABLOY®-lock cases (e.g. ABLOY® 4190 series, excl. 4291) made to fit in a mortice prepared according to standard SFS 5209 can be installed in this box. The delivery includes an installation box in two parts, insulating films to protect the glass, backing plate and installation parts.

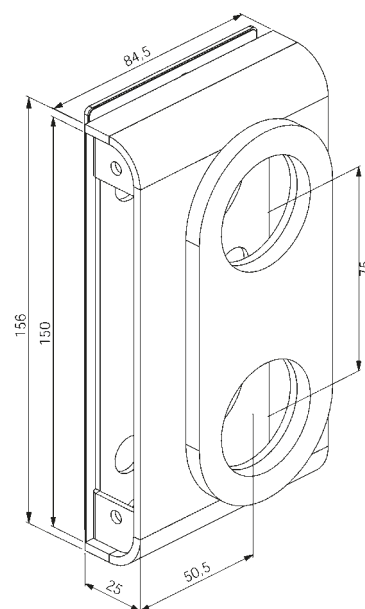
Striker plate for wooden door frame
4690, 4691, LP711, LP714, LP721, LP731

Striker plate for double door or glass screen 0051

Striker plate for double door or glass screen with
ABLOY® 4960, 0052

Finish Fe/Mme, Fe/Har, Fe/Cr

Drilling scheme please see page 63

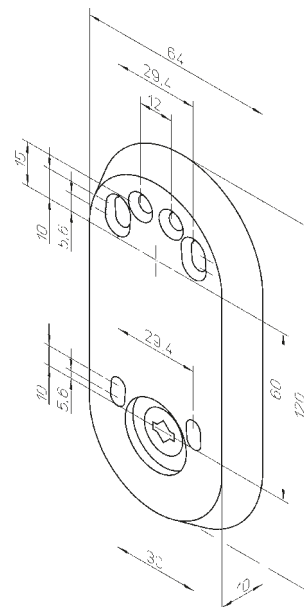


Transfer device ABLOY® 518

The surface mounted ABLOY® 518 transfer device can be used to combine two different key or cylinder systems and it can easily be installed also on existing locks of different types.

The device can be used to combine
ABLOY® C, N, T, U with ABLOY® C, N, T, U
ABLOY® N, T, U with SCAND cylinders or
SCAND with SCAND

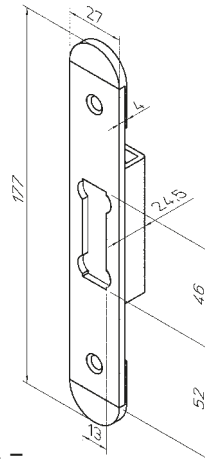
NB. Fittings to be ordered separately



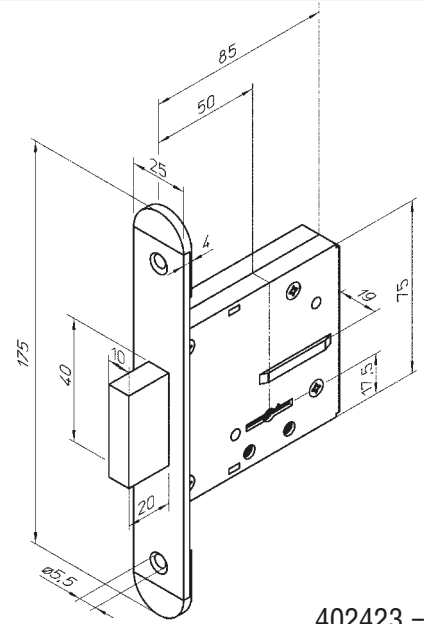
Rounding pieces

When the mortise is made by a drill, router or milling machine the tooling traces can be covered by rounding pieces.

Finish = ABS/Cr



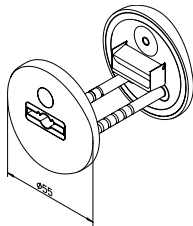
402424 =
For striker plate 0036



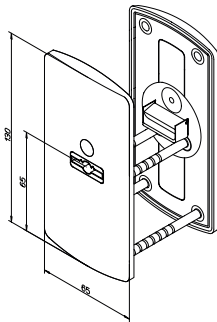
402423 =
For lock ABLOY® 428

Escutcheons

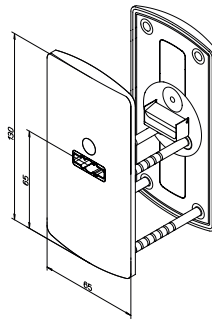
963
(lock SL928, 428)
Finish
Ms/Cr, Ms/Hcr,
Ms/KiLa



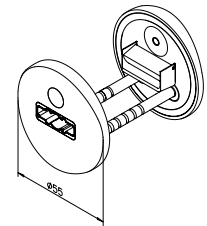
964
(lock SL928, 428)
Finish
Ms/Cr, Ms/Hcr,
Ms/KiLa



962
(lock SL905)
Finish
Ms/Cr, Ms/Hcr,
Ms/KiLa

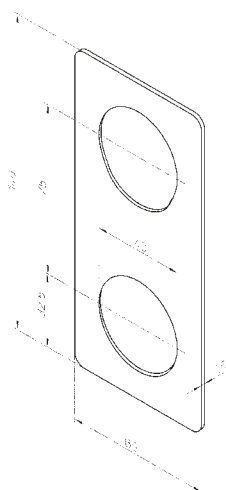


961
(lock SL905)
Finish
Ms/Cr, Ms/Hcr,
Ms/KiLa

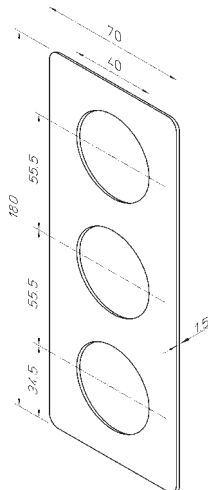


Cover plates

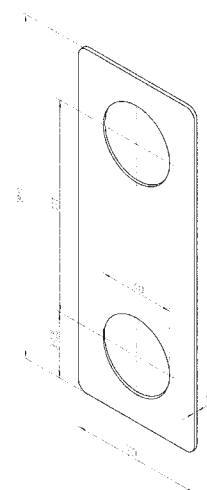
023
Finish
Ms/Cr, Ms/HaLa



024
Finish
Ms/Cr, Ms/HaLa



025
Finish
Ms/Cr, Ms/HaLa



Cover front plates

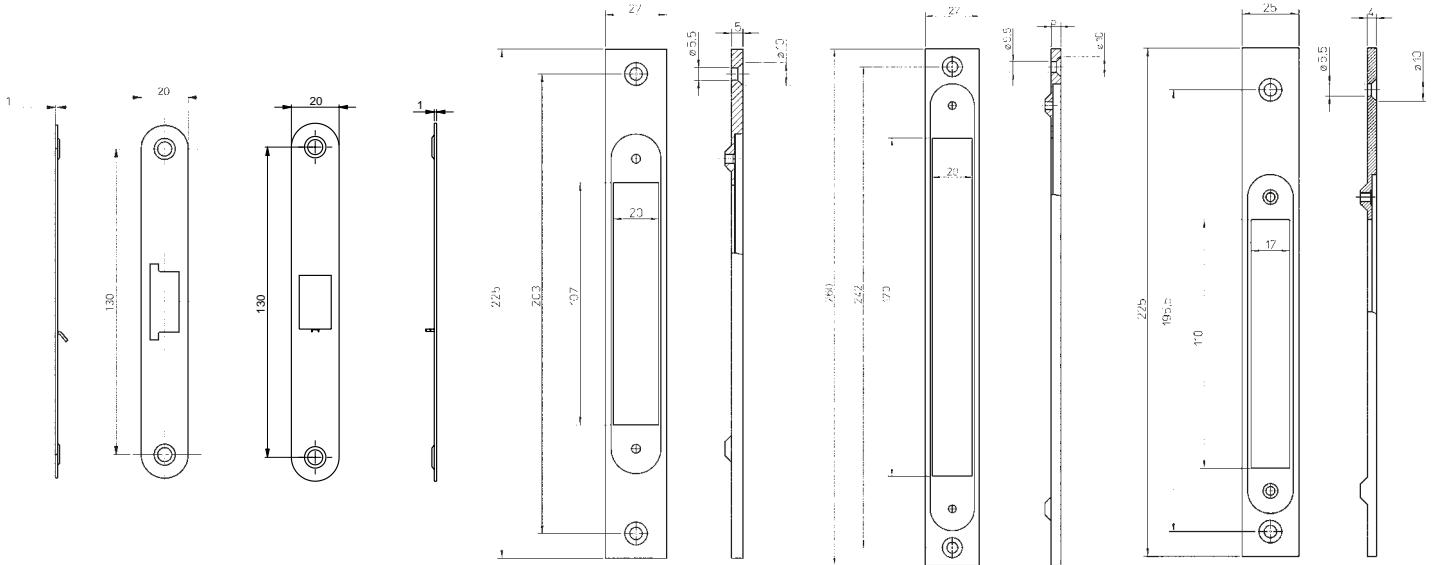
7640
Finish
Fe/Cr, Fe/Hcr,
Ms/HaLa,
Ms/KiLa, Rst

7641
Finish
Fe/Cr, Fe/Hcr,
Ms/HaLa,
Ms/KiLa, Rst

7690
Finish
Zn/Cr

7691
Finish
Zn/Cr

7694
Finish
Zn/Cr



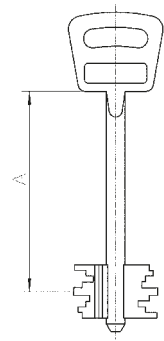
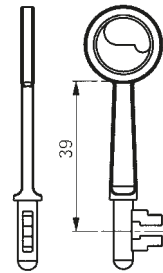
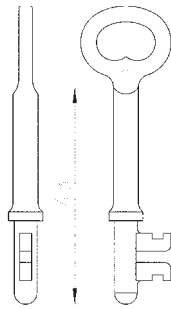
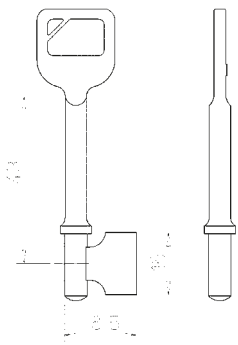
Keys

2011
Length 43, 72 mm

2014
Length 48, 68 mm

2040
Length 39 mm

SL928, 428, 451S
Length 43, 53, 69 mm

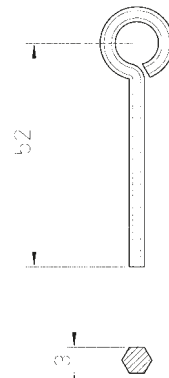
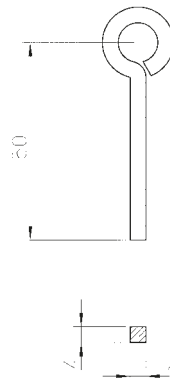
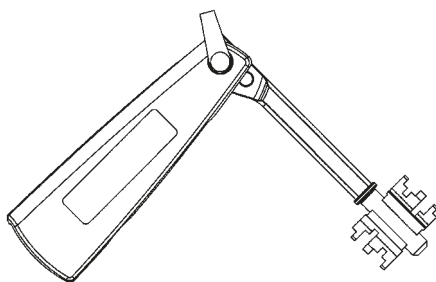
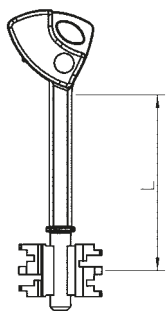


SL905
Length 47, 60 mm

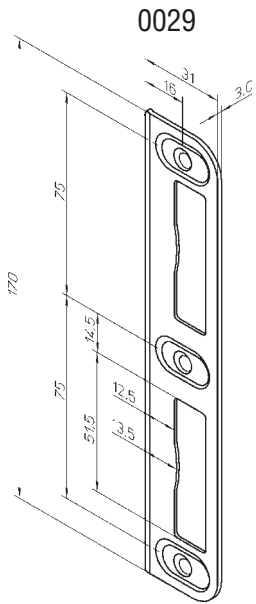
Folding key
SL905
Length 47 mm

Square key

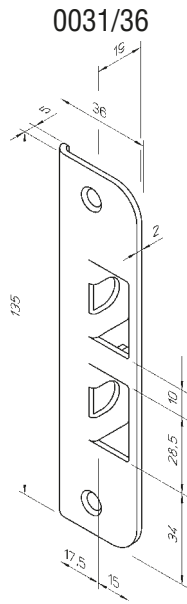
Hexagonal key



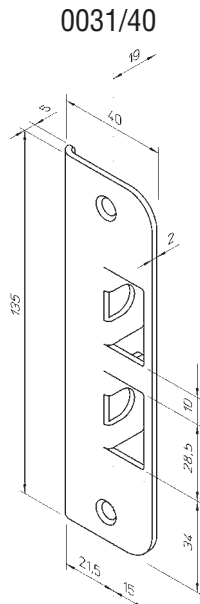
Striker plates



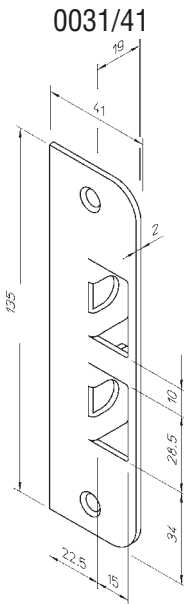
0029



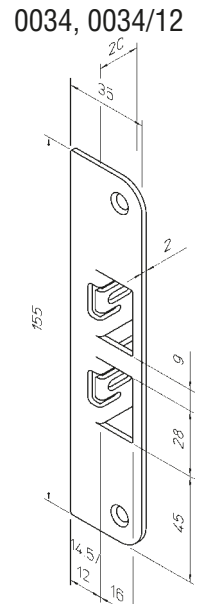
0031/36



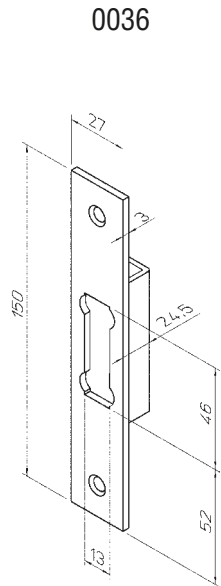
0031/40



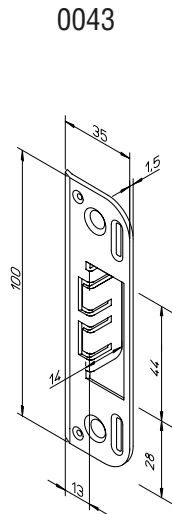
0031/41



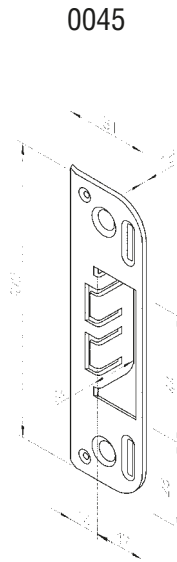
0034, 0034/12



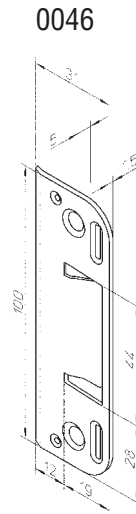
0036



0043

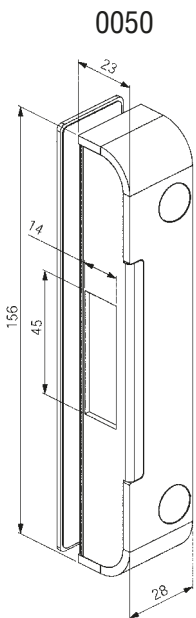


0045

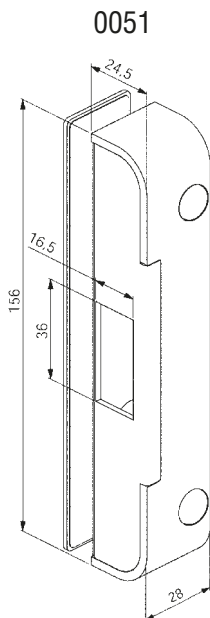


0046

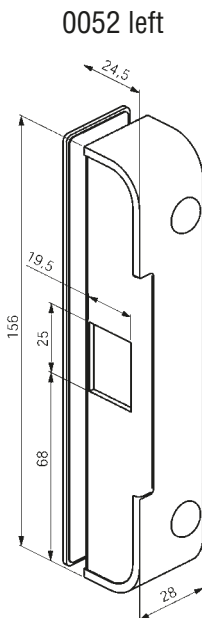
Mortise please see page 65



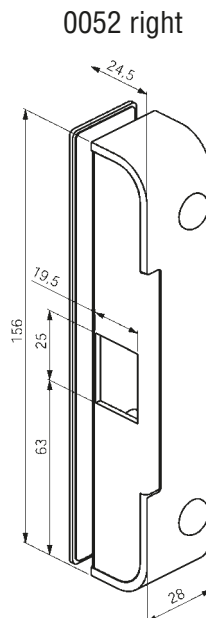
0050



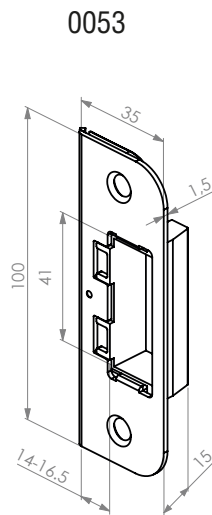
0051



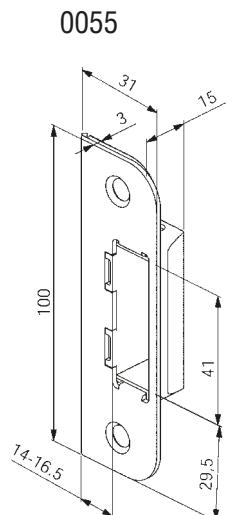
0052 left



0052 right



0053

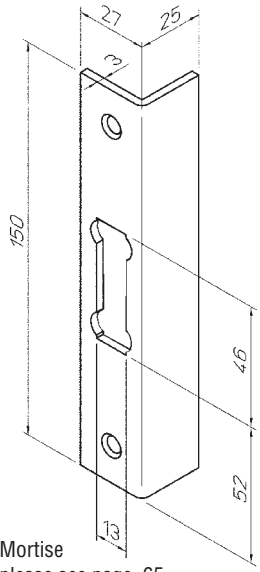


0055

Striker plates 0053 and 0055 have a 2.5 mm adjustment by which the function of the door can be optimized.

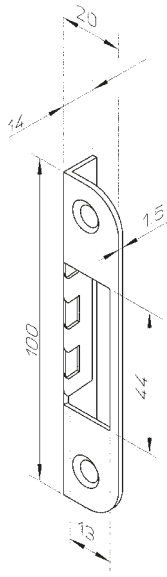
Striker plates

0065



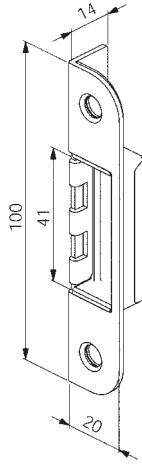
Mortise
please see page 65

0068

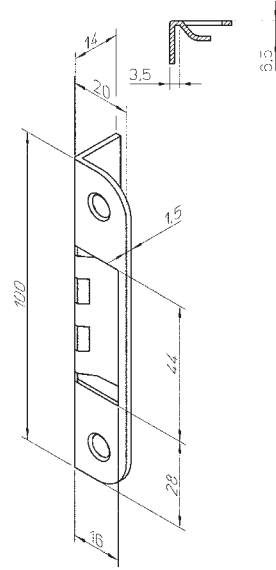


0068B

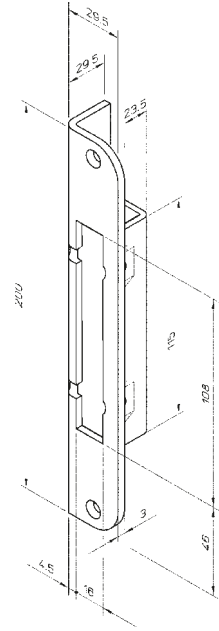
The striker plate is
equipped with a box
covering the mortise.



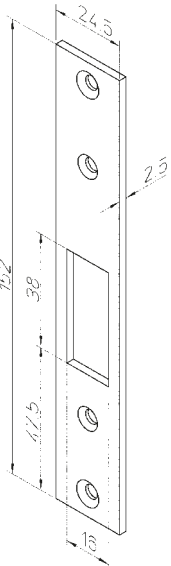
0078



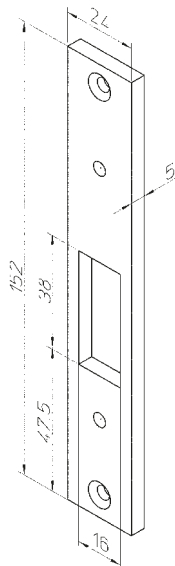
0079



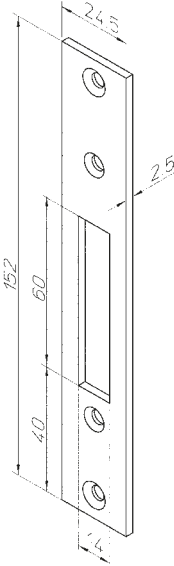
4613



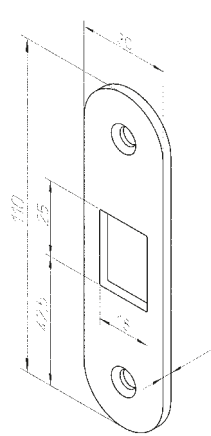
4614



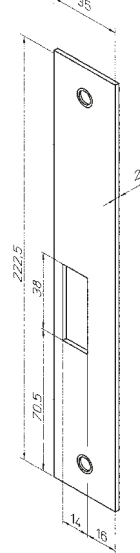
4655



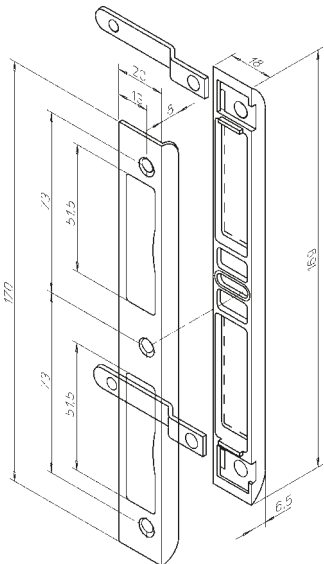
4662



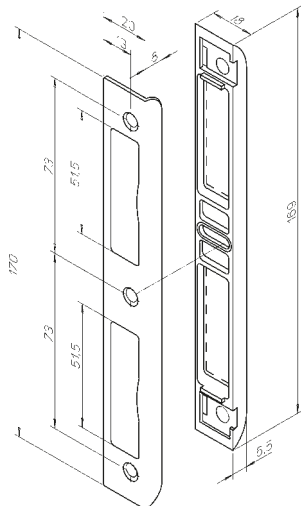
4666



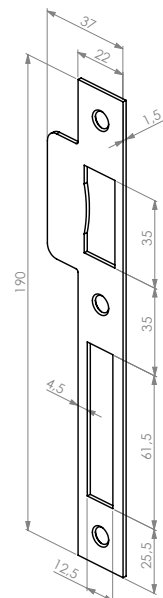
4667



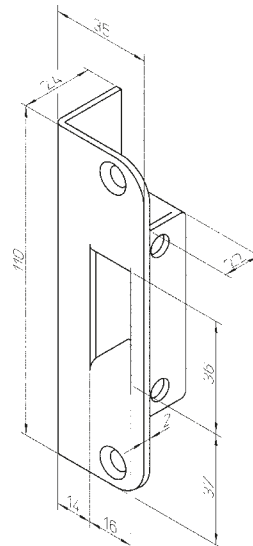
4669



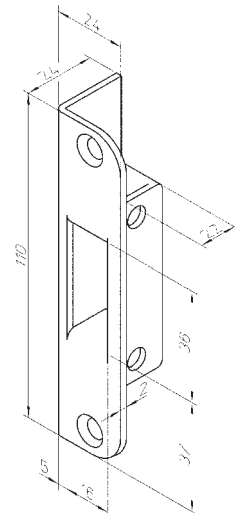
4673



4690

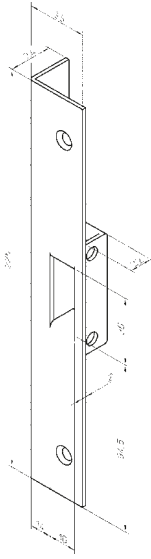


4691

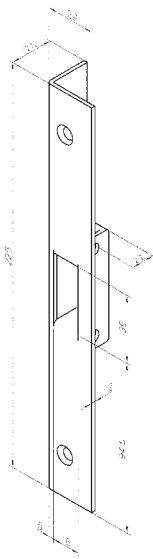


Striker plates

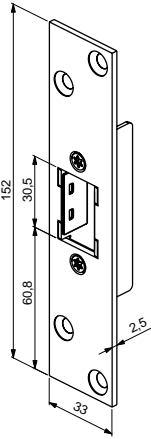
4692



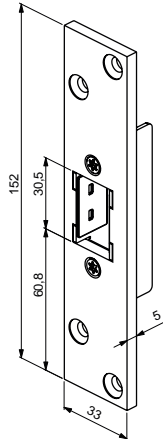
4693



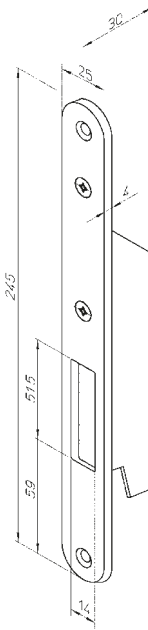
LP702



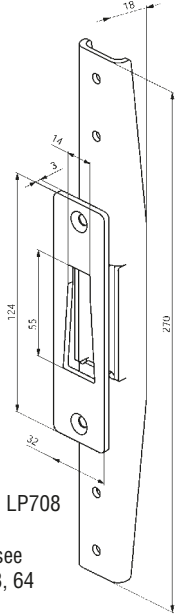
LP703



LP707



LP708



LP 707, LP708
mortise
please see
page 63, 64

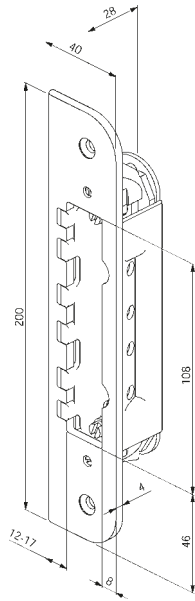
Adjustable striker plates

The striker plates have a patented stepless and slipless adjusting mechanism, by which the function of the seal can be optimized in all circumstances. This makes the door comfortable to use.

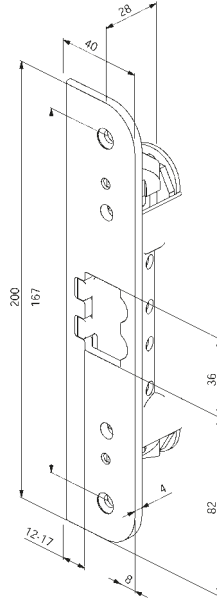
LP710 and LP720 series have a 5 mm and **LP730 series** a 3 mm adjustment range. The adjustment is made by turning two screws in the forend of the striker plate by a screwdriver.

Mortise please see page 64

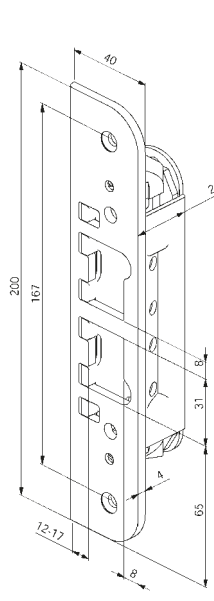
LP710



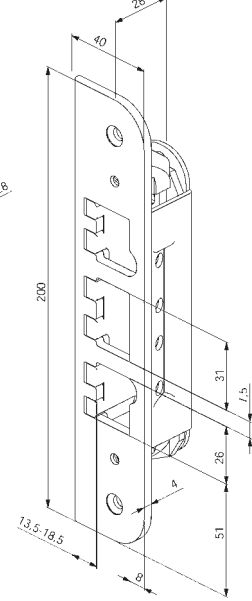
LP711



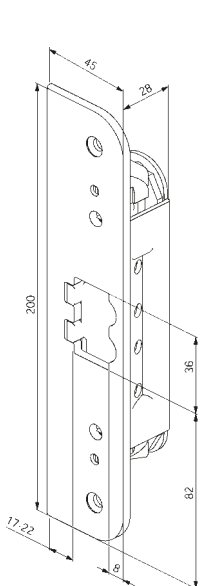
LP712



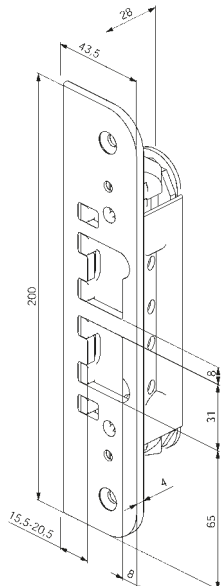
LP713



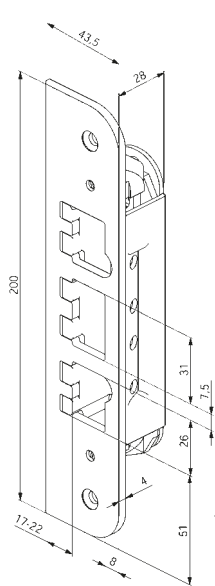
LP714



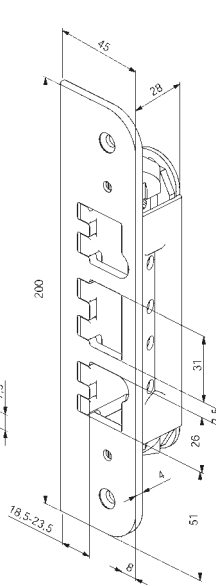
LP717



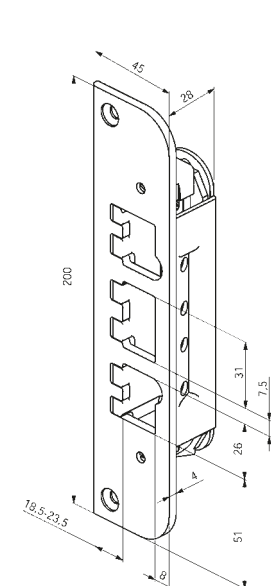
LP718



LP719

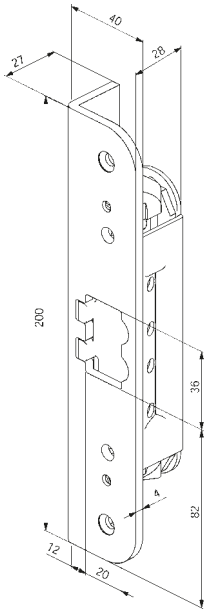


LP719I

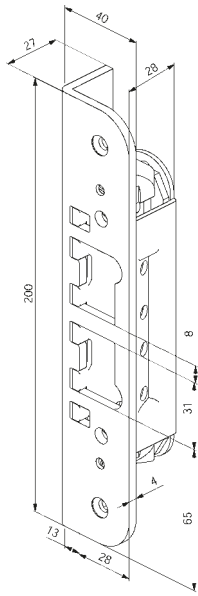


Striker plates

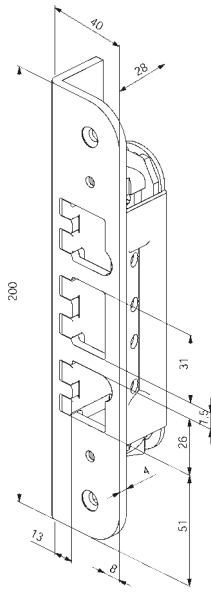
LP721



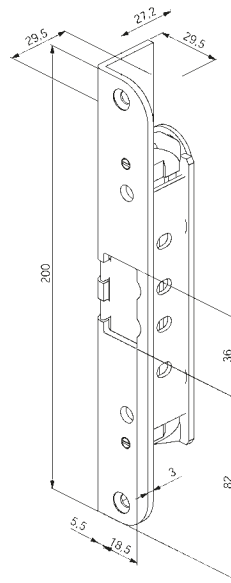
LP722



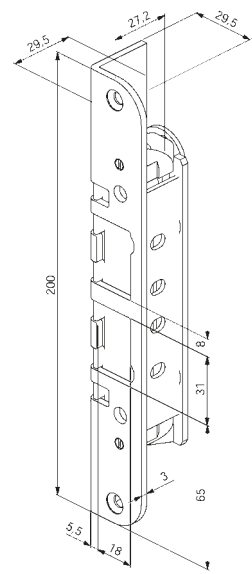
LP723



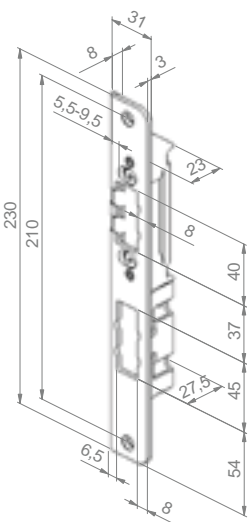
LP731



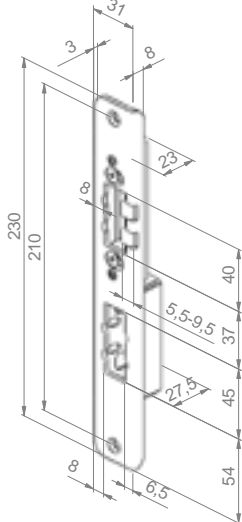
LP732



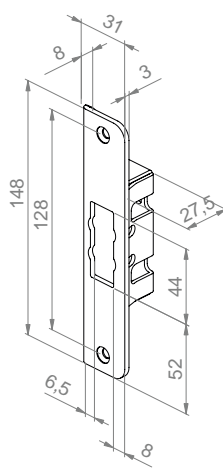
LP760R



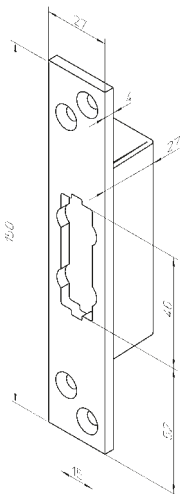
LP760L



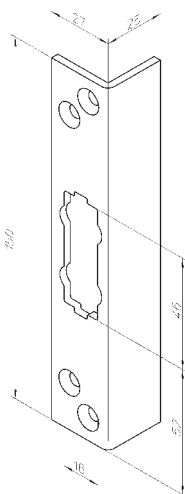
LP763



LP780

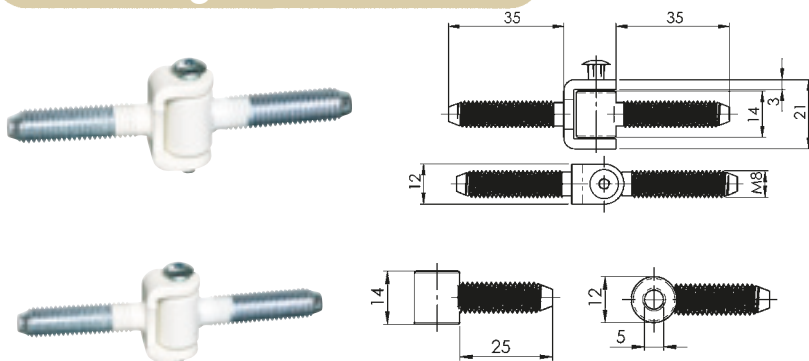


LP781



LP780 and LP781 mortise please see page 65

Drill-in hinges for windows



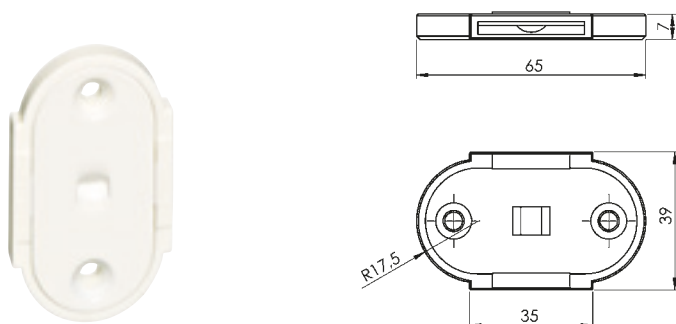
M8x35/12

Material: steel.
Finishes: white, galvanized.

M8x25/12 HOP for aluminium casement

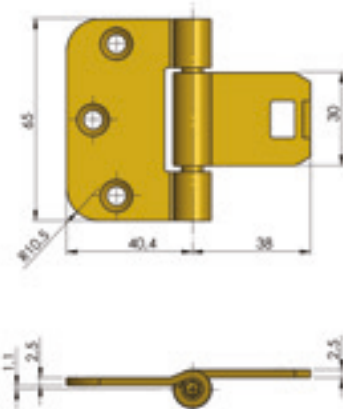
Material: steel.
Finishes: white, galvanized.

Hinges for interior doors



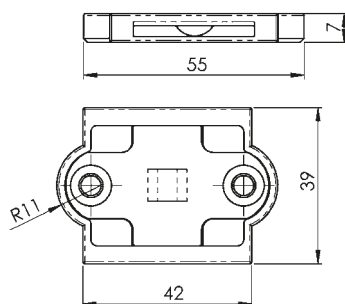
6540 door part

Material: steel/plastic.
Finishes: white,
brass coloured,
silver coloured.



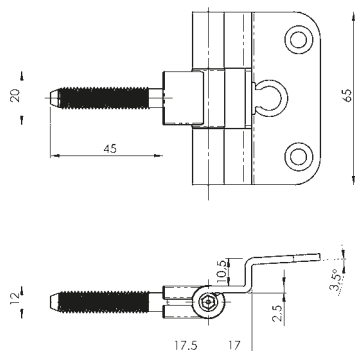
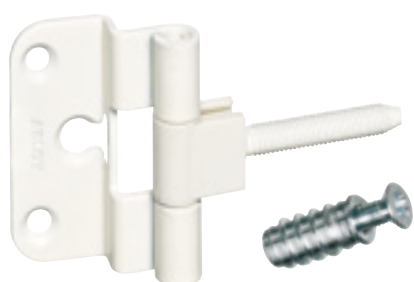
6540KS frame part

Material: steel
Finishes: white, brass coloured,
silver coloured, chromed, bright
brass.
6540KS is vertically
adjustable +/- 2 mm.
Symmetrical hinge for
non-rebated interior doors.



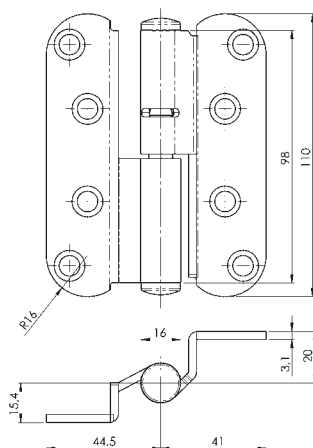
5538 door part

Material: steel/plastic
Finishes: white,
brass coloured,
silver coloured.



FT-65KS

Material: steel
Finishes: white, brass coloured, silver
coloured, chromed, bright brass.
FT-65KS is vertically
adjustable +/- 3 mm.
Symmetrical hinge for rebated interior doors.
Door part M6/12x22, galvanized steel.



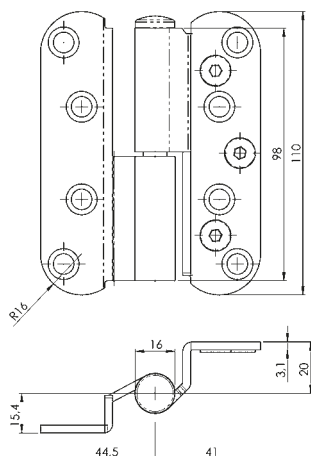
NTR110x30T-CE

Material: steel

Finishes: galvanized, chrome plated.

NTR 110x30T is vertically adjustable +3 mm (adjusting piece S=1 mm).

Journal supported lift-off hinge for rebated fire doors and inner doors of public premises



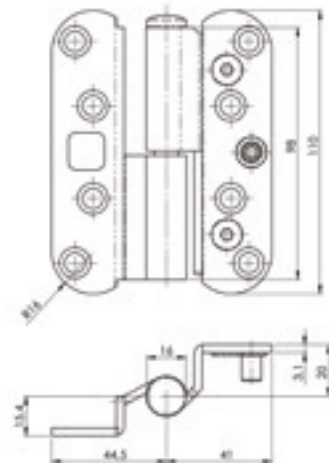
NTR110x30TKSS-CE

Material: steel

Finishes: galvanized, chrome plated.

NTR 110x30TKSS is vertically adjustable +4/-1,5 mm and laterally adjustable + 3 mm.

Journal supported lift-off hinge for rebated fire doors and inner doors of public premises



NTR110x30TMRKSS-CE

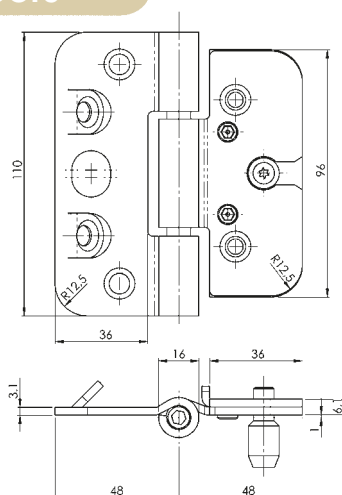
Material: steel

Finishes: galvanized, chrome plated.

NTR 110x30T is vertically adjustable +4/-1,5 mm, laterally adjustable +3 mm and burglary proof.

Journal supported lift-off hinge for rebated fire doors and inner doors of public premises

Hinges for exterior doors



110x36KSS-F-CE

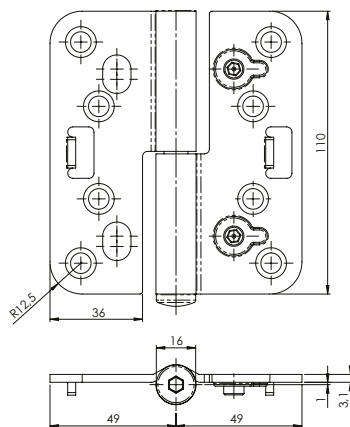
Material: steel

Finishes: white, brass coloured, galvanized/lacquered, galvanized/yellow lacquered.

110x36KSS is vertically adjustable +/- 3 mm, laterally adjustable + 3 mm and burglary proof.

Symmetrical hinge for non-rebated exterior doors.

Hinges for exterior doors

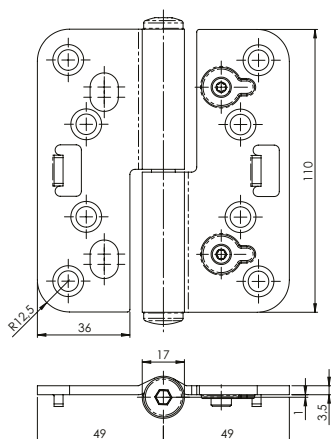
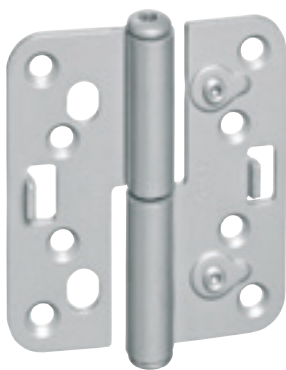
**N3248-110TMKSS-CE**

Material: steel.

Finishes: silver coloured.

N3248-110TMKSS is vertically adjustable -1/+4 mm, laterally adjustable +3 mm and burglary proof.

Journal supported lift-off hinge for non-rebated exterior doors.

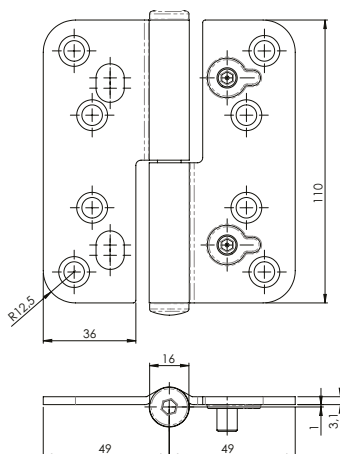
**N3548-110TMKSS-CE**

Material: steel.

Finishes: silver coloured.

N3548-110TMKSS is vertically adjustable -1/+4 mm, laterally adjustable +3 mm and burglary proof.

Journal supported lift-off hinge for non-rebated exterior doors.

**N3248-110TMRKSS-CE**

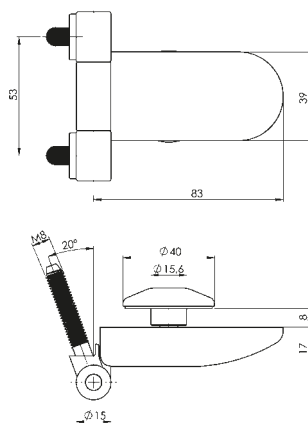
Material: steel.

Finishes: silver coloured.

N3248-110TMRKSS is vertically adjustable -1/+4 mm, laterally adjustable +3 mm and burglary proof.

Journal supported lift-off hinge for non-rebated exterior doors.

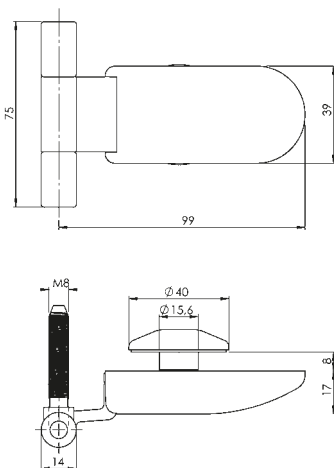
Hinges for glass doors

**FL-75PSSD**

Material: aluminium..

Finishes: brass coloured,
silver coloured.

FL-75PSSD is laterally
adjustable +/- 3 mm.

**FL-75PSSGD**

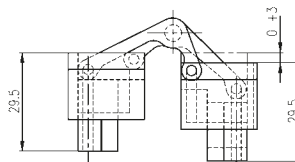
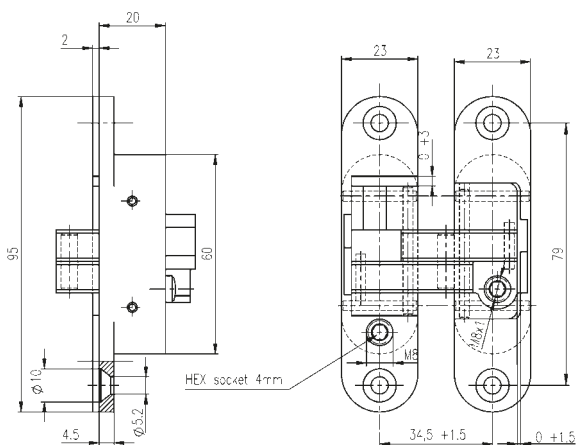
Material: aluminium.

Finishes: brass coloured,
silver coloured.

FL-75PSSGD is laterally
adjustable +/- 3 mm.

Free opening of M9 door is 800 mm
(FOP hinge)

Concealed hinges

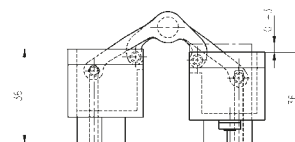
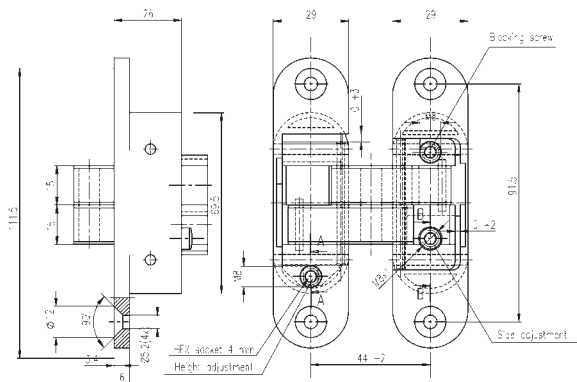
**CH-40KSS**

Material: zinc.

Finishes: satin nickel, nickel, brass.

Concealed hinge for non-rebated
interior door.

Maximum door weight 40 kg.

**CH-80KSS**

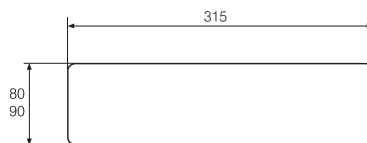
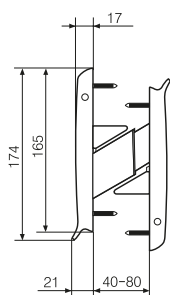
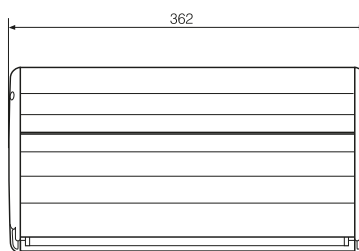
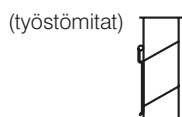
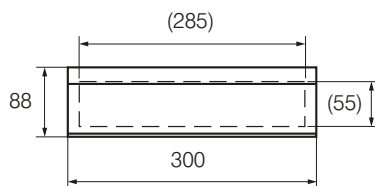
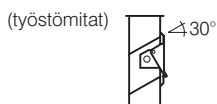
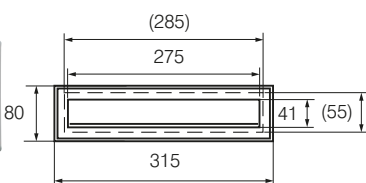
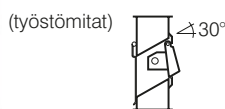
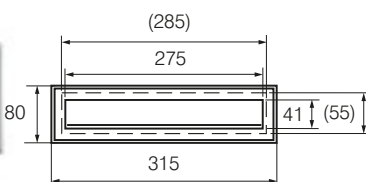
Material: zinc.

Finishes: satin nickel, nickel, brass

Concealed hinge for non-rebated
interior door.

Maximum door weight 80 kg.

Letter plates

**Letter plate DF60+63**

Material: stainless steel.

Surface finish: polished.

For use with apartment front doors, as well as on front doors of houses. Includes a name plate, and can also be installed vertically.

Letter plate DF61

Material: stainless steel.

Surface finish: polished.

For use with apartment front doors, as well as on front doors of houses. Can also be installed vertically.

Flap DF63

Material: stainless steel.

Surface finish: polished.

Used in combination with letter plates DF60 and DF61.

Letter plate PRIMO 31

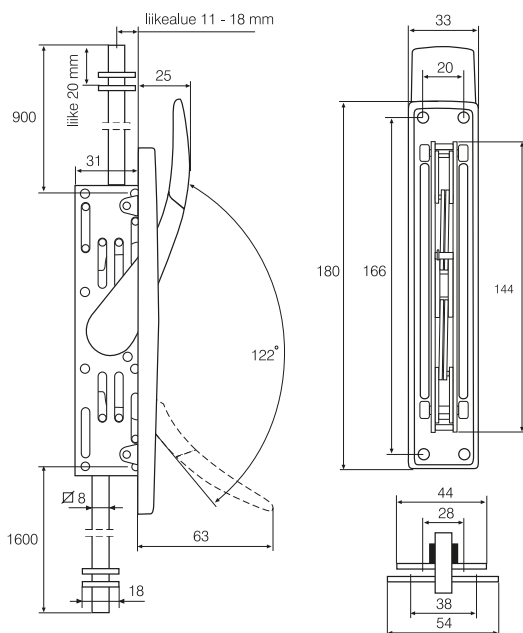
Material: aluminium/plastic.

Finishes: silver-anodized Al/Aho, brass-anodized Al/Me.

Letter plate PRIMO 31 is tested in Finland for EI15 and EI30 –fire doors and dB25, dB30 and dB35 –decibel doors.

Can be used as a replacement for ABLOY® DF60+63 or 464 -letter plates.

Quick bolt



Quick bolt DF3000, DF3001, DF3100 Stainless, DF3101 Stainless

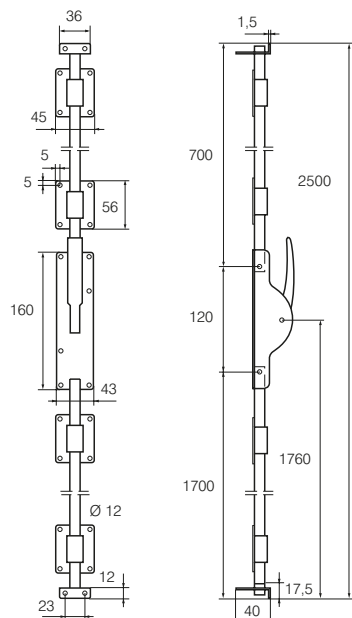
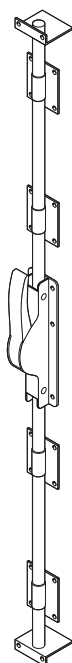
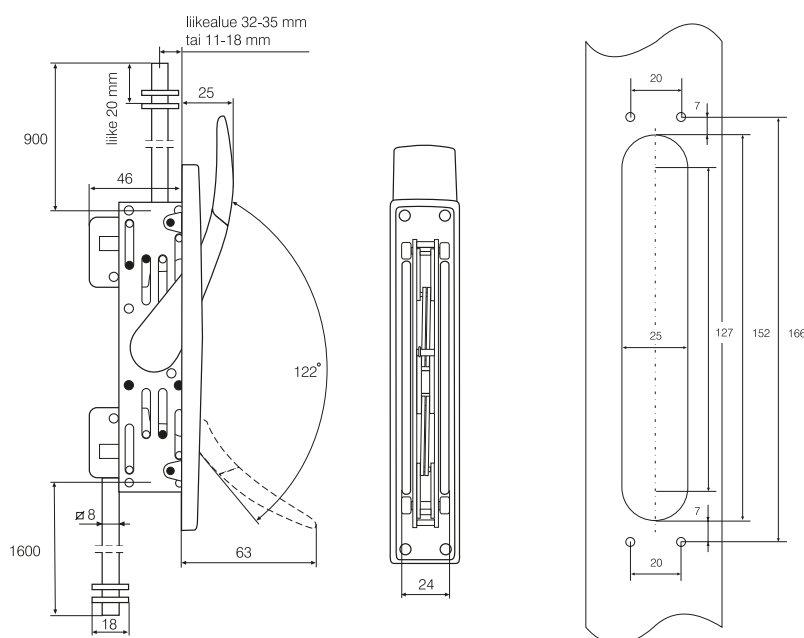
Material: visible parts brass/other parts steel or stainless steel.

Surface finishes: chrome, satin chrome, polished/lacquered.

Quick bolt DF3000 is used for securing the closed half of metal profile and wooden doors without a middle casing. In closed position the bolt opens only by pulling the handle down. A clear sticker instructs the proper use. The bolt has a new quick attachment of locking bars which makes the installation easier. In the basic versions DF3000 ja DF3100 St the position of the locking bars can adjusted 7 mm, 11-18 mm from the surface of the door. The fitting depth of the bolt is only 31 mm.

For certain door profiles special versions DF3001 and DF3101 St are suitable where the fitting depth of the locking bars is 32-35 mm from the door surface. The fitting depth of the bolt is then 46 mm.

The satin-chromed DF3100 and DF3101 bolts made from stainless steel are particularly suitable for humid areas such as on boats or in dairies. All the locking parts of the bolt are made from stainless steel and have satin chromed surface finish.



Quick bolt DF900

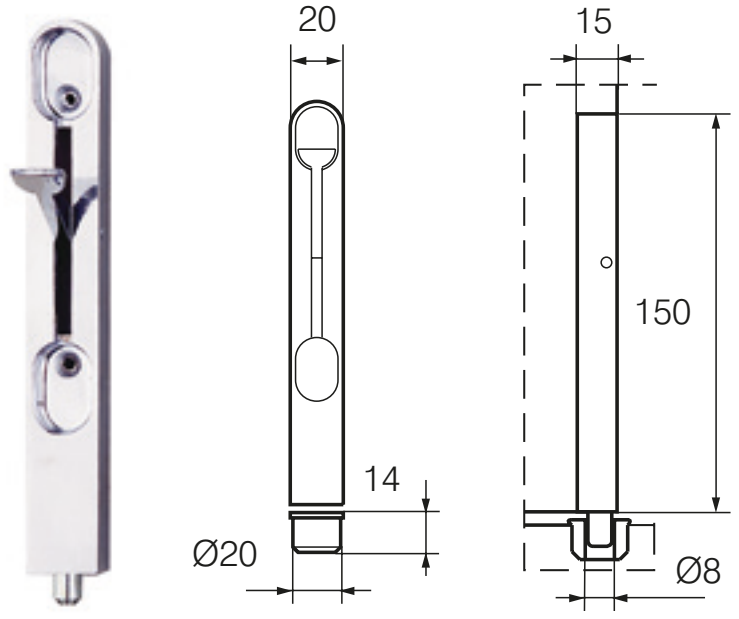
Material: brass.

Surface finishes: polished, chrome.

Surface fitted model with two way function. Used for securing wooden and metal profile double doors.

Wood screws, 2 pcs striker plates, 4 pcs guides included in D.I.Y. packs

Flush bolt



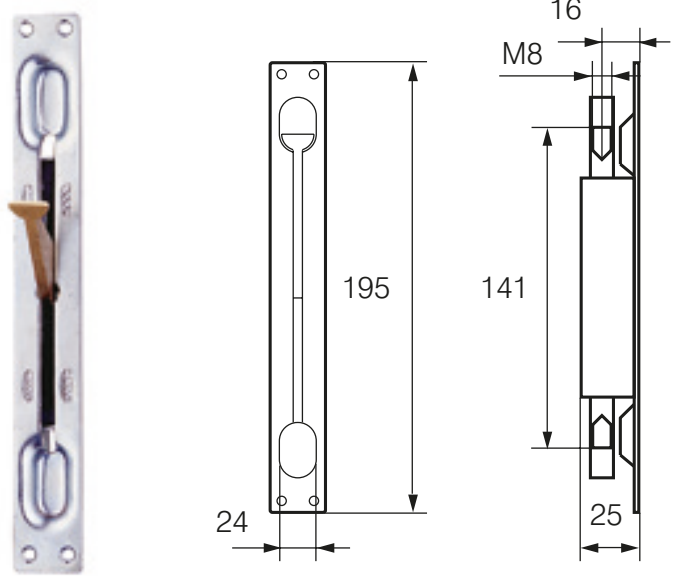
Flush bolt DF849

Material: zinc.

Surface finishes: chromium plated, brass-plated. Flush fitting model.

For use with wooden double doors to secure the closed half of the door, 2 pcs/door.

Adjustable striker plate is plastic.



Flush bolt DF330

Material: steel.

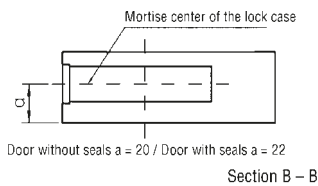
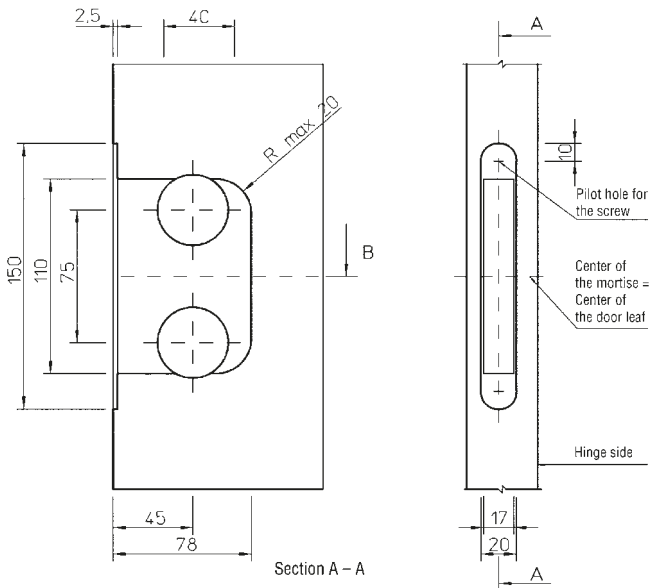
Surface finish: galvanized.

Flush fitting model with two-way function; rods are fitted to the bolt with M8 threading (rods not included in delivery).

Used for bolting metal profile double doors, 1 pc/door.

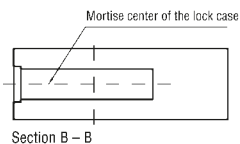
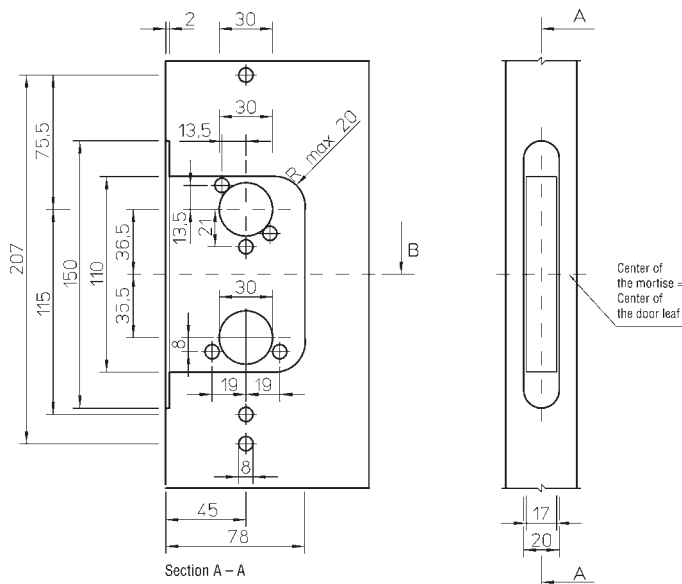
Locks for interior doors

SFS 5210
 SS 81 73 82
 2011, 2014, 2016, 2020, 2040, 4238, 4249, 4260,
 4570, 9456

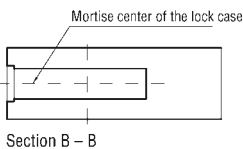
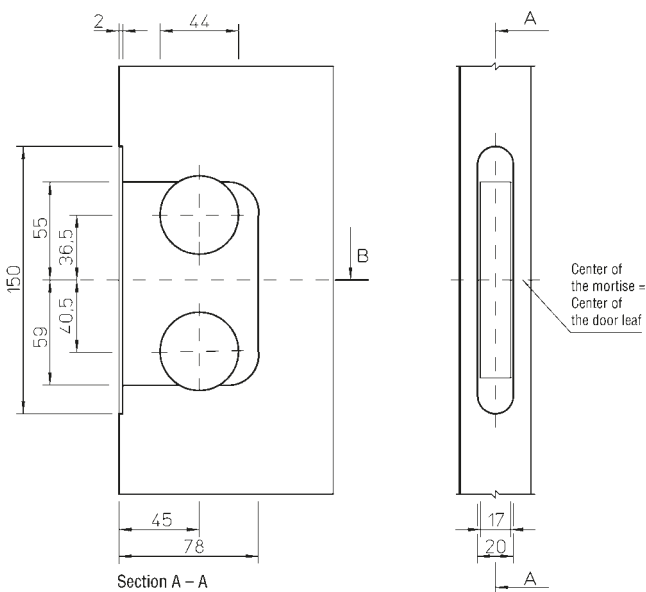


When 7640 cover plate is used with locks 2025 it is recommended to make the mortise for the forend 3 mm deep.

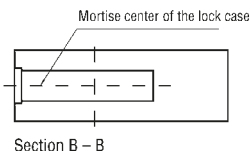
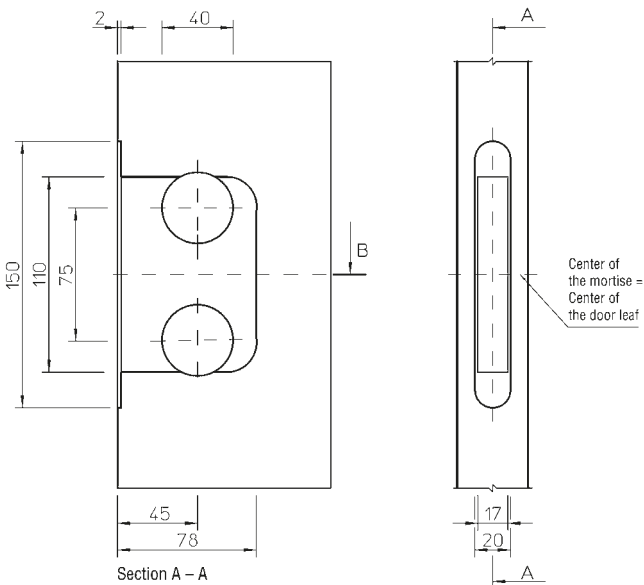
2011, 2014, 2040 with DIN fittings



2018 with ABLOY® 001PZ fittings



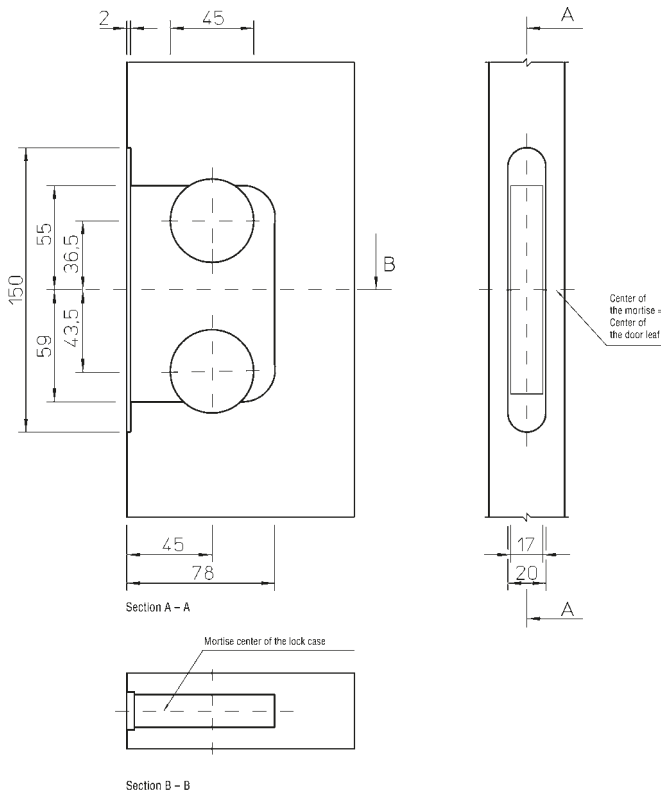
2018 with normal standard fittings



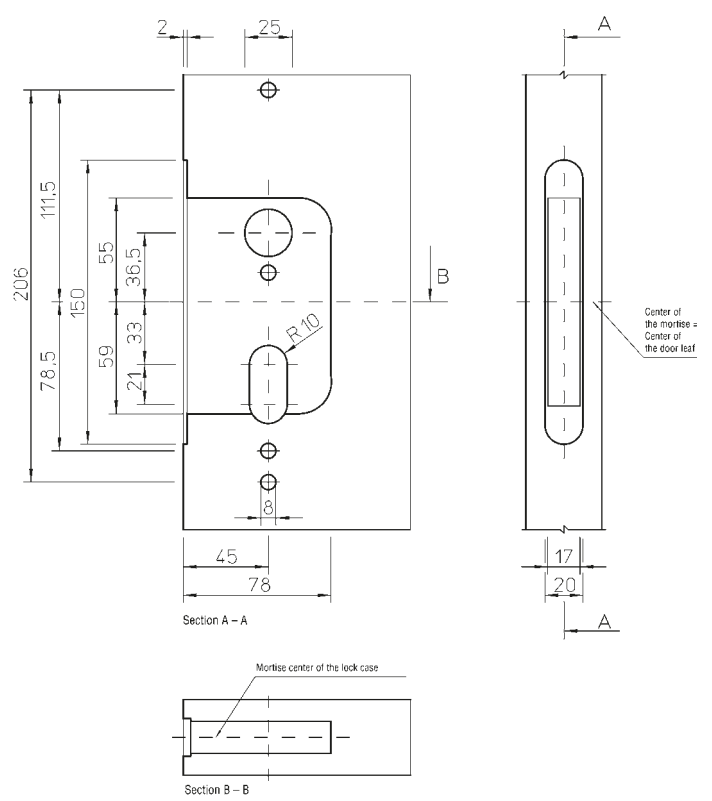
The mortise measures are normative.

Locks for interior doors

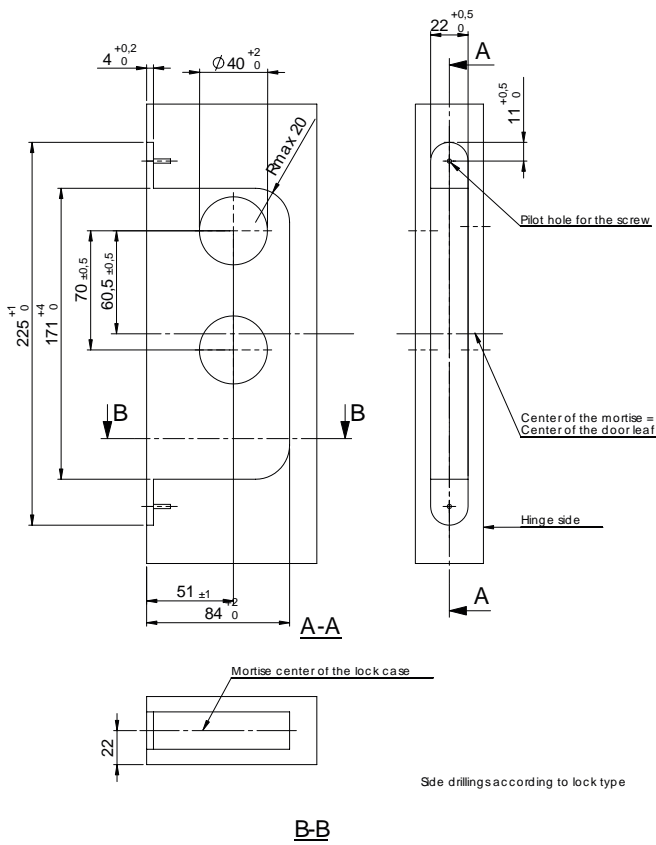
2018 with ABLOY® 004PZ fittings



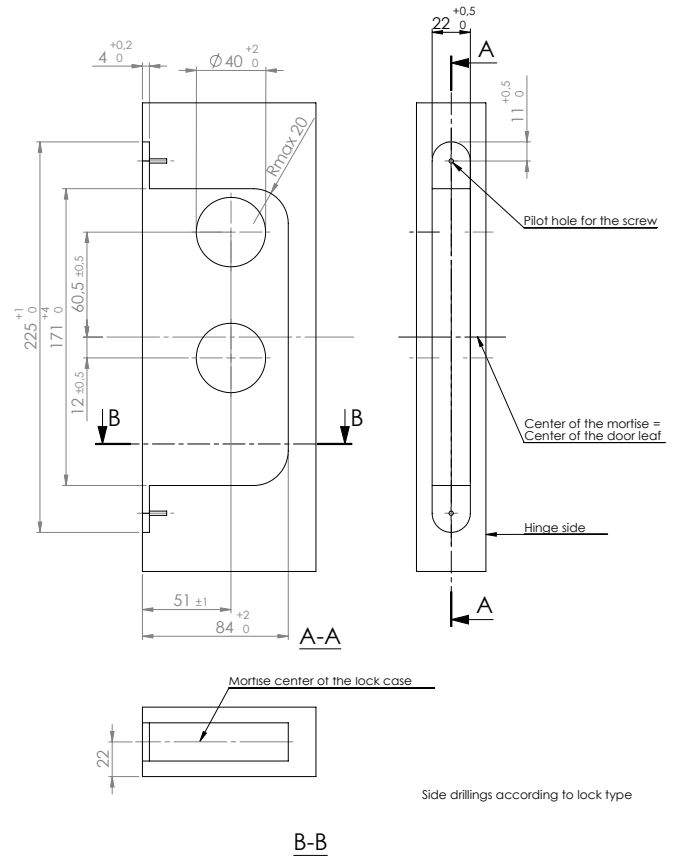
2018 with ABLOY® 010PZ fittings



LC291

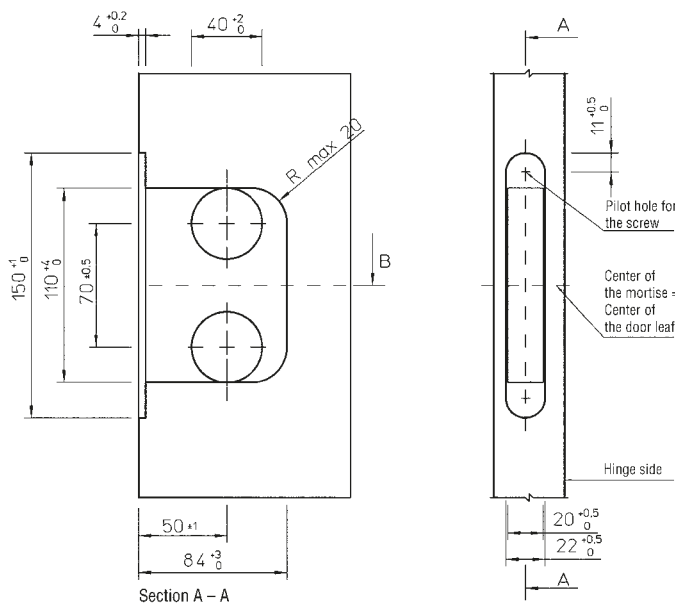


LC291 asymmetrical mortise

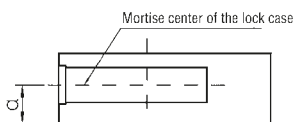


Locks for interior doors

4291

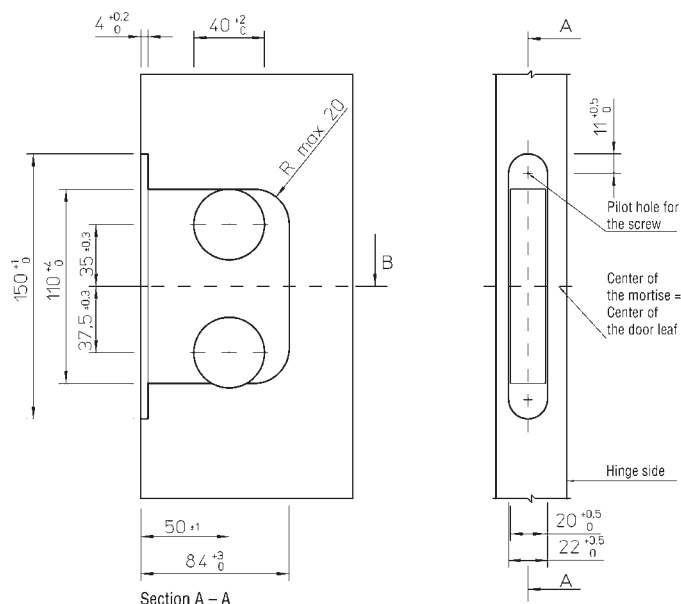


Section A - A

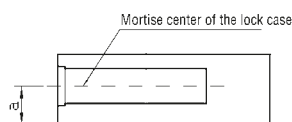


Door without seals a = 20 +0,5 / Door with seals a = 22 +0,5
Section B - B

4291 asymmetrical mortise



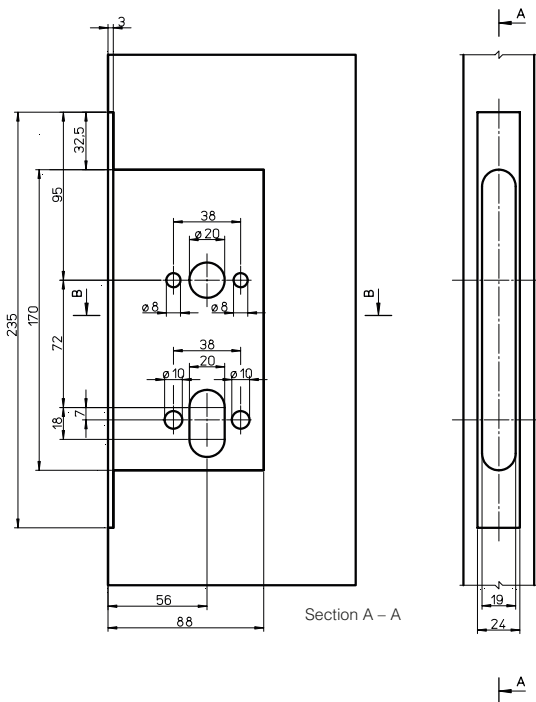
Section A - A



Door without seals a = 20 +0,5 / Door with seals a = 22 +0,5
Section B - B

The mortise must be asymmetrical if a separate additional lever handle spring is used.

4202

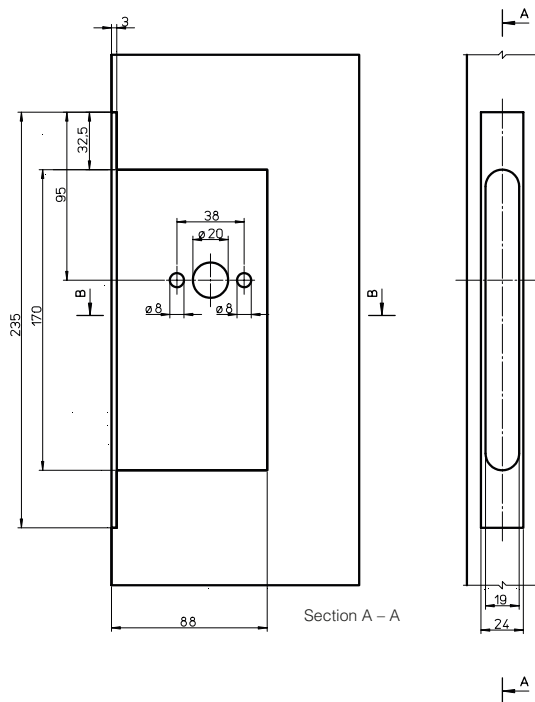


Section A - A

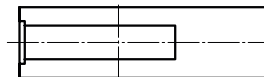


Section B - B

4203



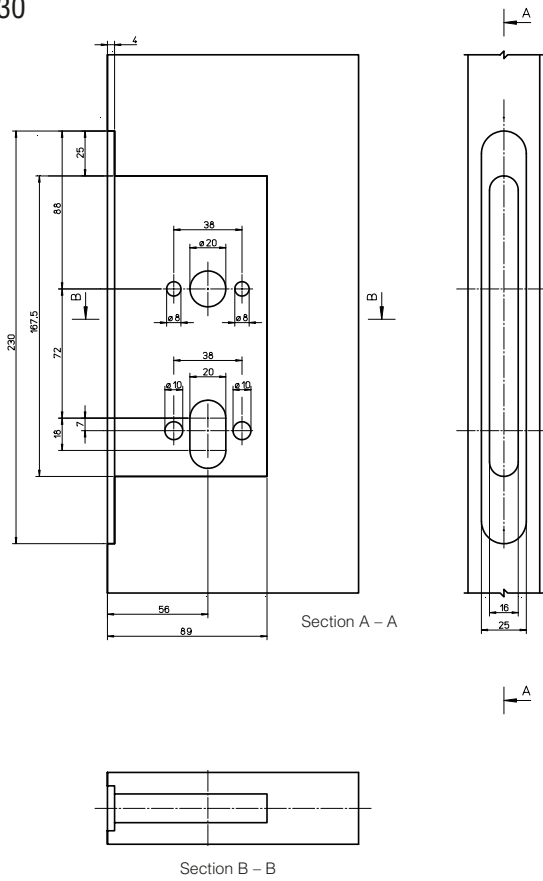
Section A - A



Section B - B

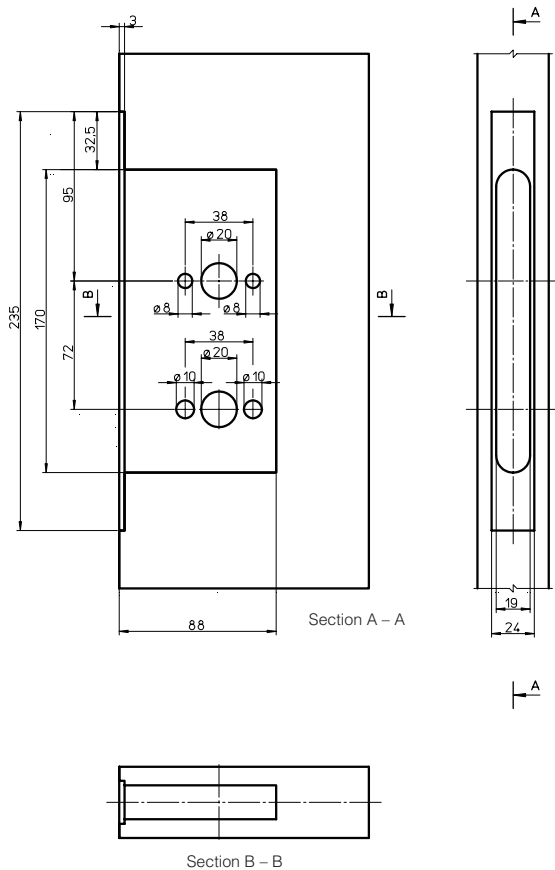
Locks for interior doors

4230

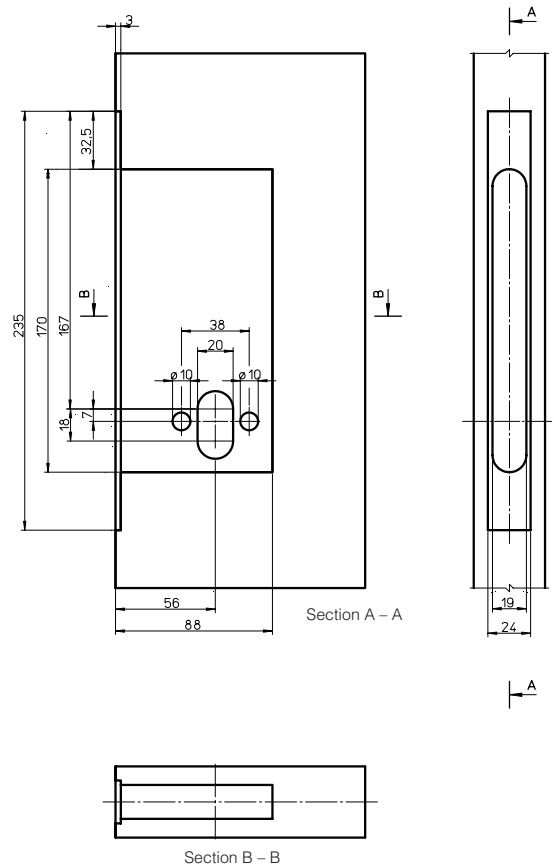


Lock cases for wooden / steel doors

4207

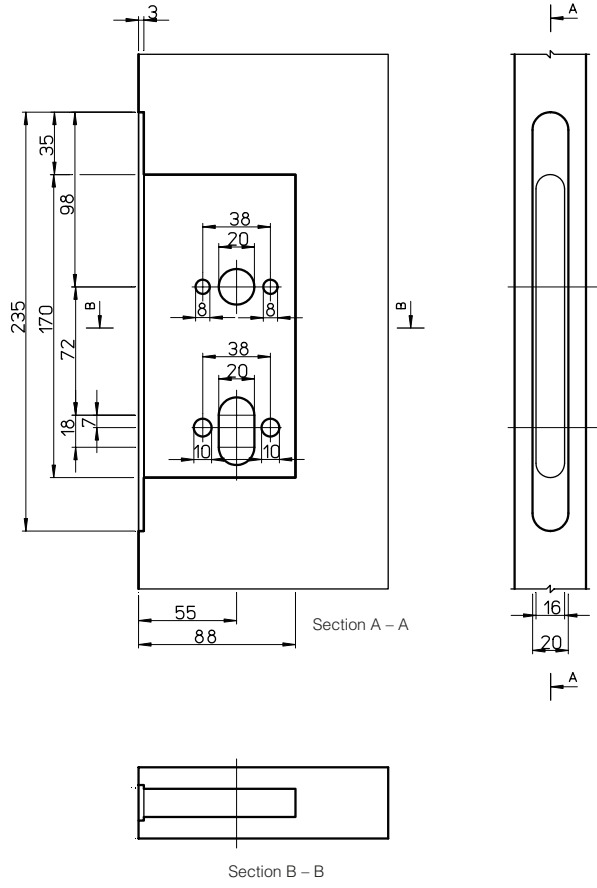


4208

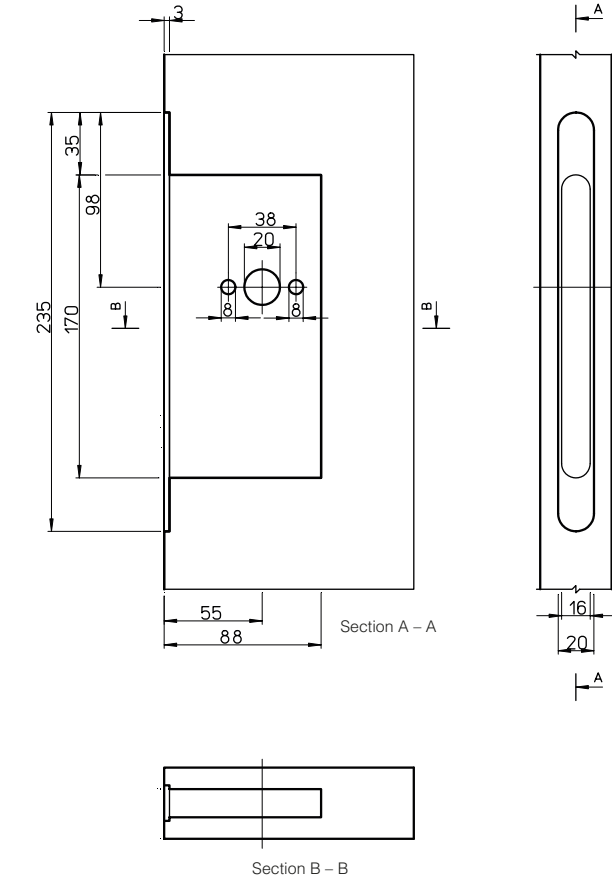


Lock cases for wooden / steel doors

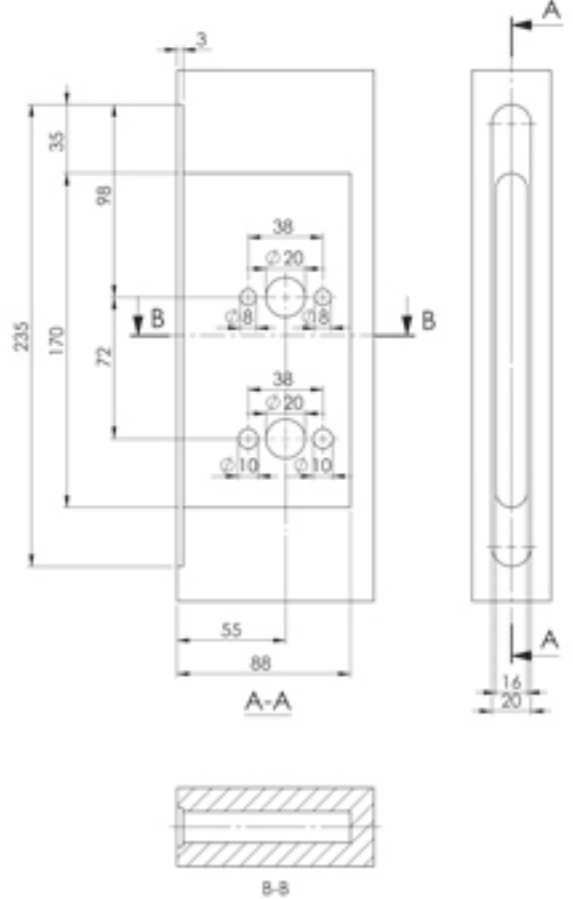
4292



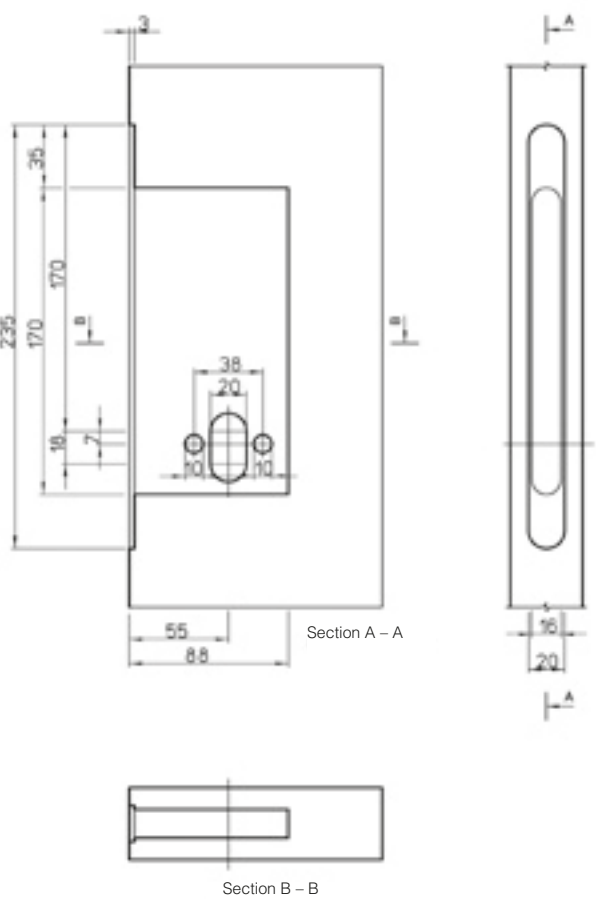
4293



4297



4298



The mortise measures are normative.

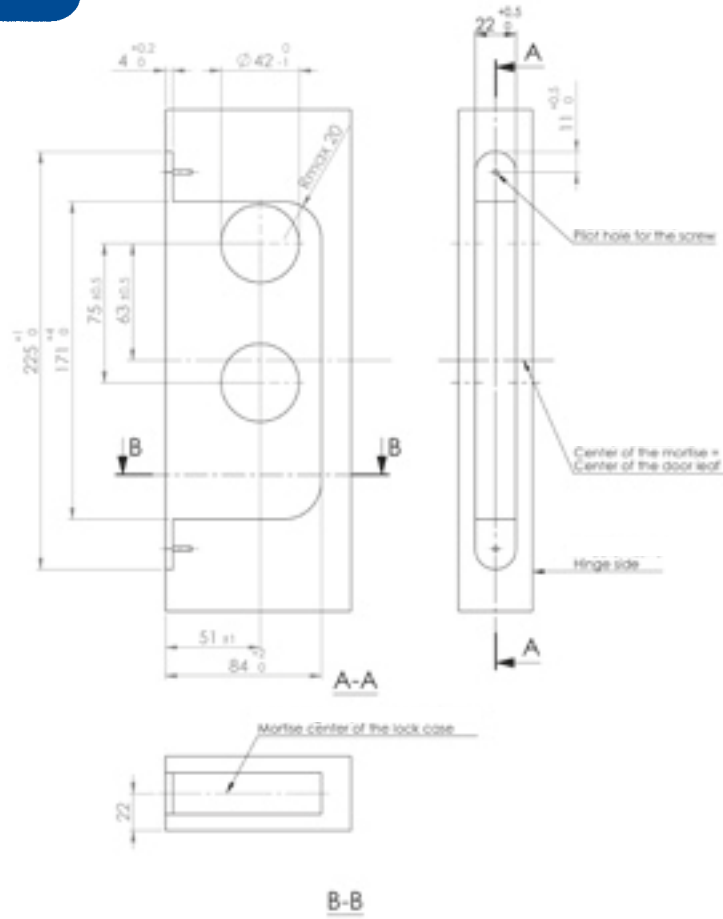
OneFit-mortise

LC190, LC193, LC194,
LC195, LC197

LC290, LC960

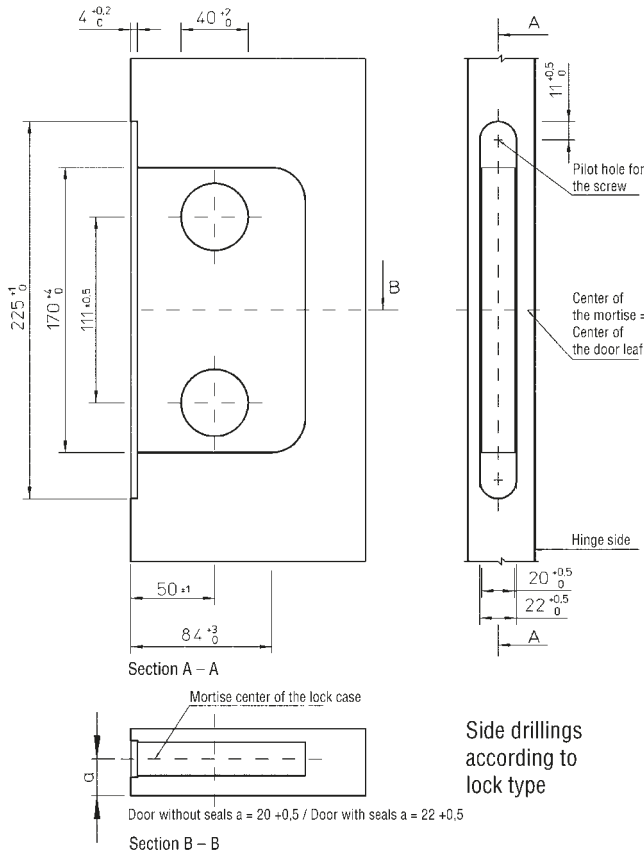
LC102

LE180, LE181; LE183,
LE184; LE185, LE186

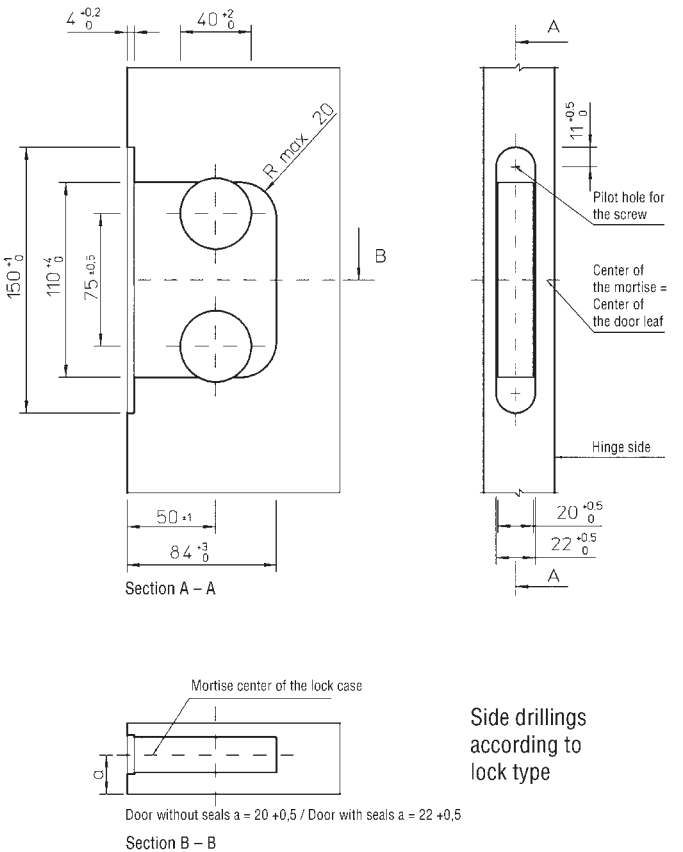


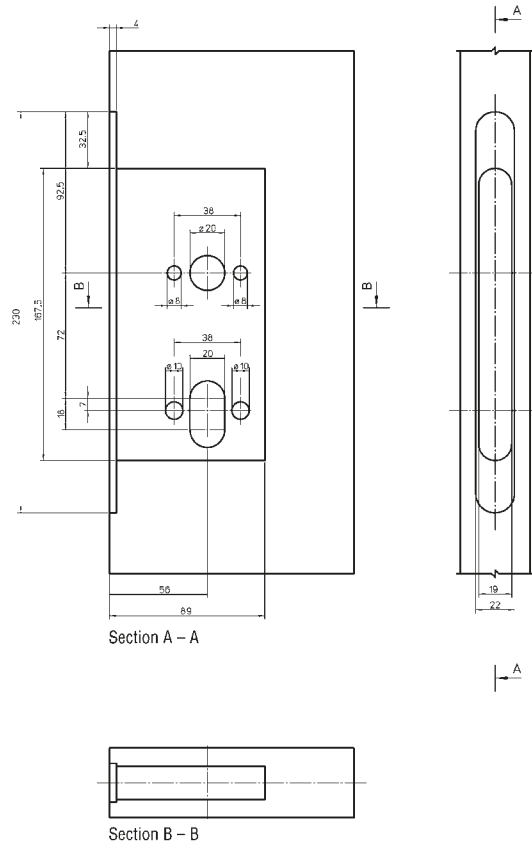
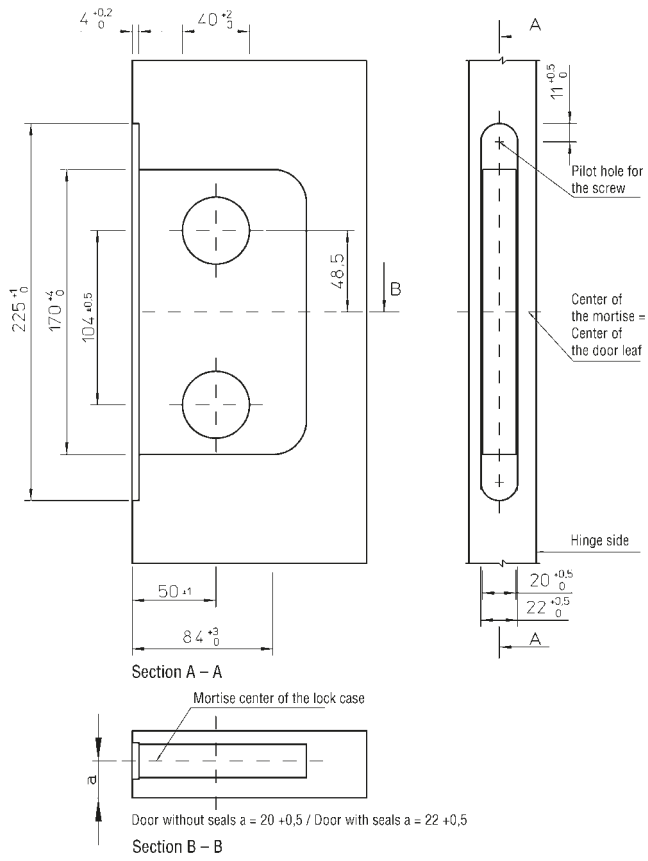
Lock cases for wooden / steel doors

SFS 5208, SS 81 73 83
LC200, LC202, LC203, LC204, LC205, LC206, LC208,
LC209, LC209A, LC210, LC211, 4181, 4865



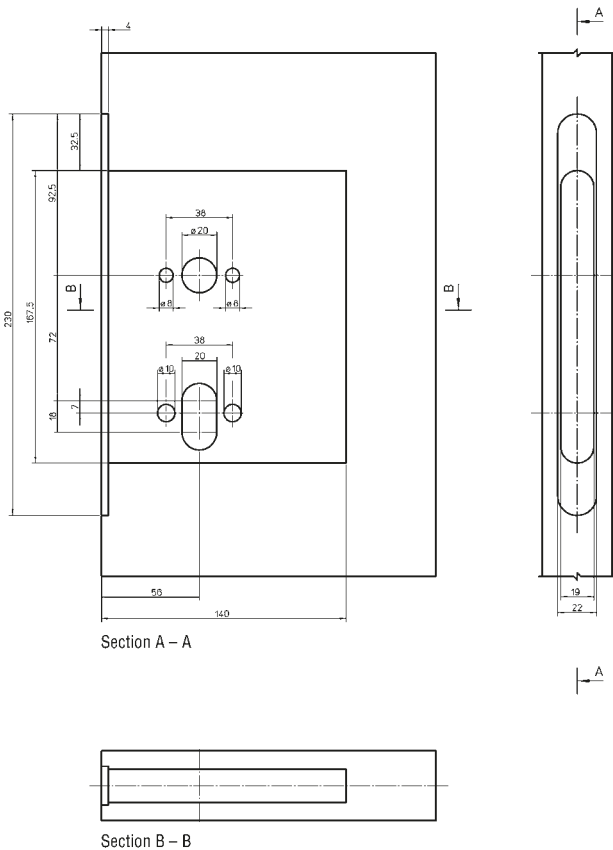
SFS 5209
LC100, 4190, 4190T, 4194, 4195, 4195T, 4197,
4290, 4960, E4190, E4194, E4195





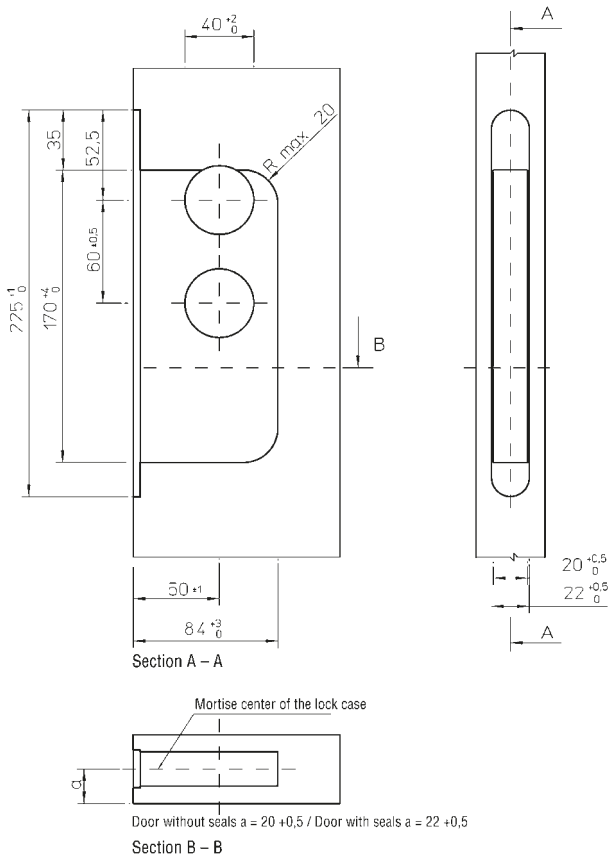
Lock cases for wooden / steel doors

4272MP

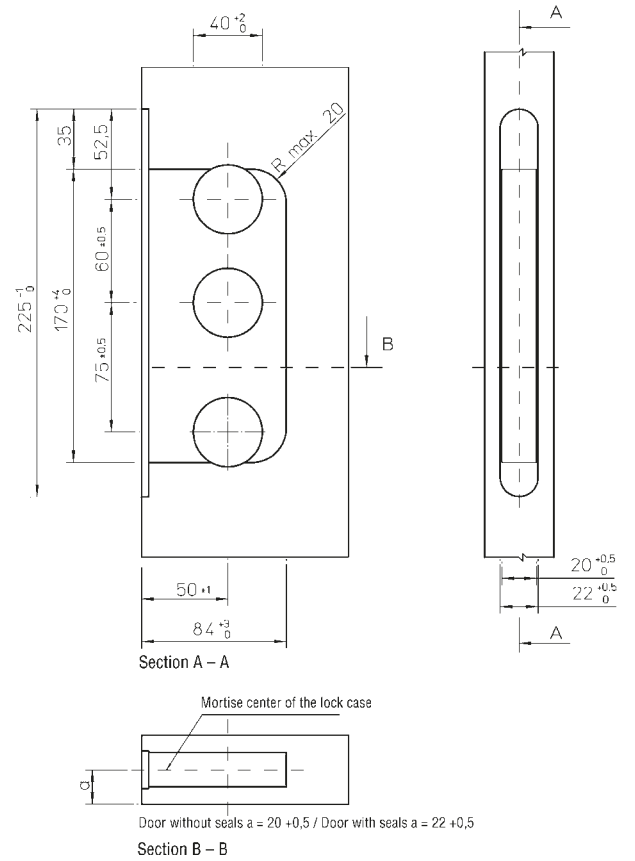


Double cylinder lock cases for wooden / steel doors

LC120, LC122, LC125, LC127

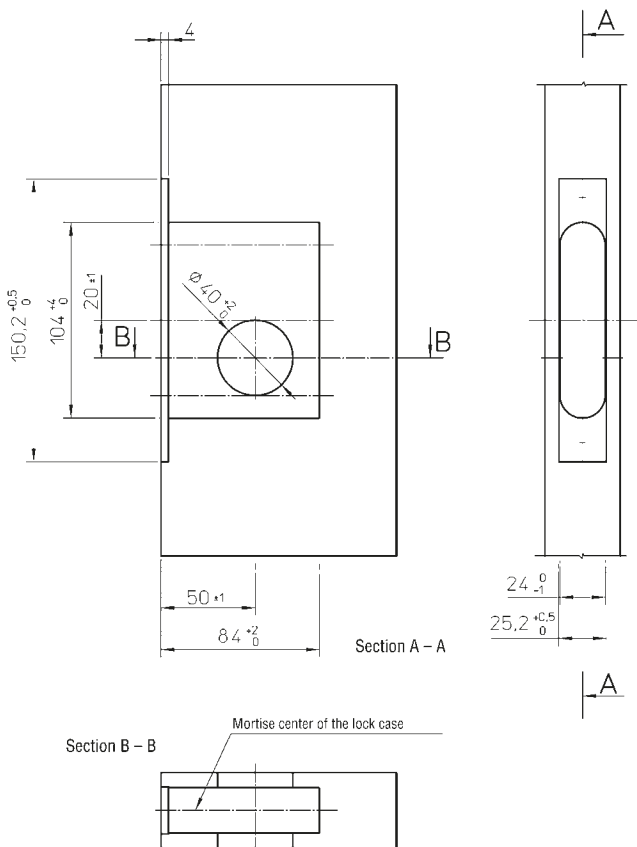


LC121, LC121T, LC123

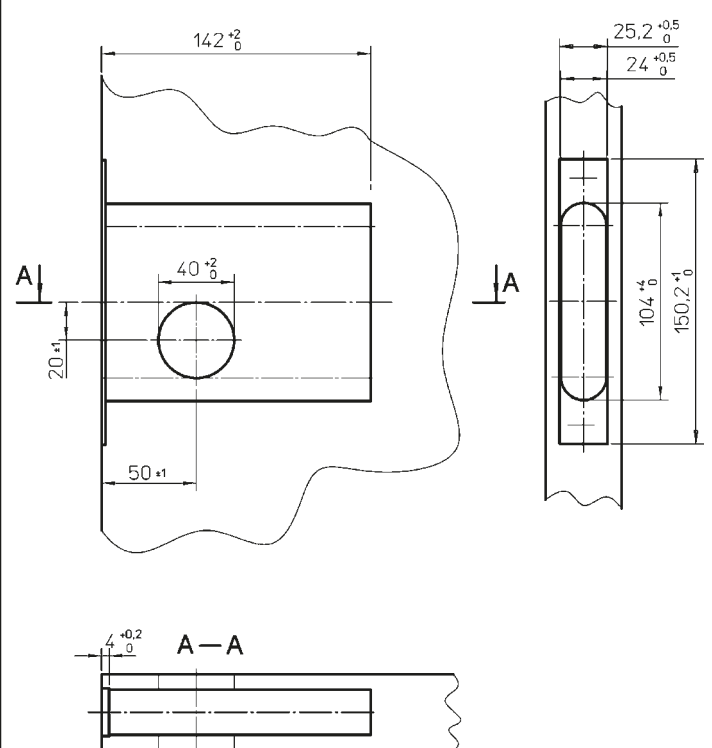


Security and additional locks for wooden/steel doors

SL905, SL928, 428



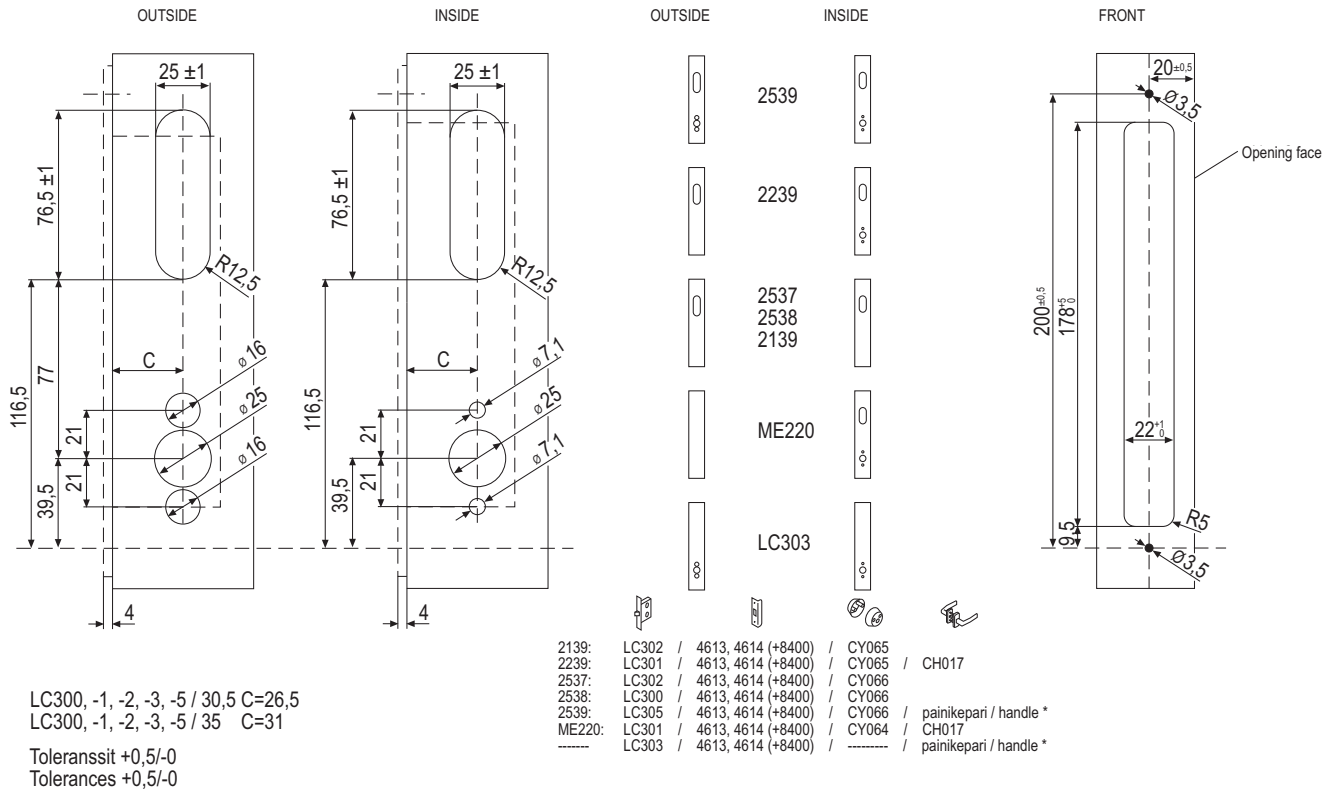
SL905MP, SL928MP



Lock cases for narrow profile doors

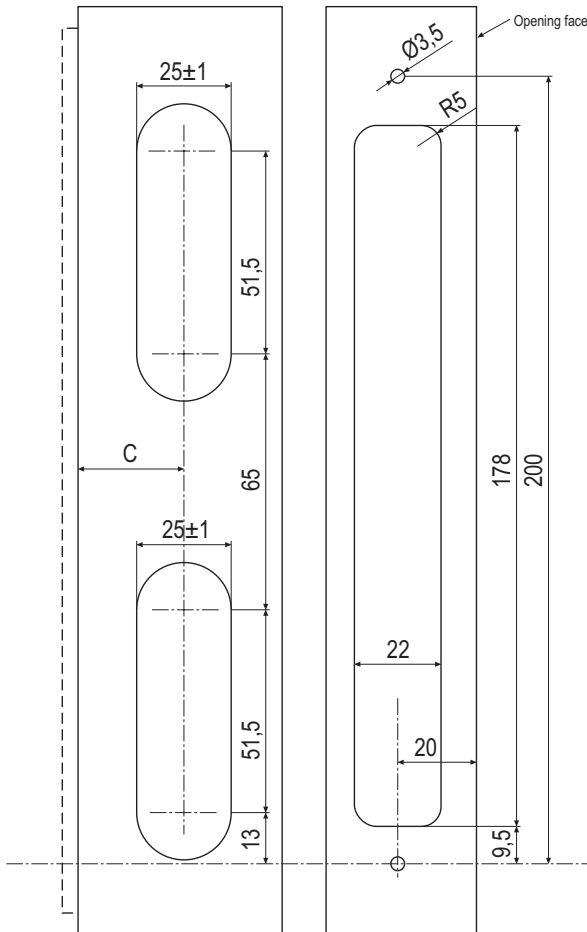
LC300, LC301, LC301F,
LC302, LC303, LC305

Please check drilling scheme dimensions with actual dimensions on lock.



Double cylinder lock cases for narrow profile doors

LC130, LC131, LC132

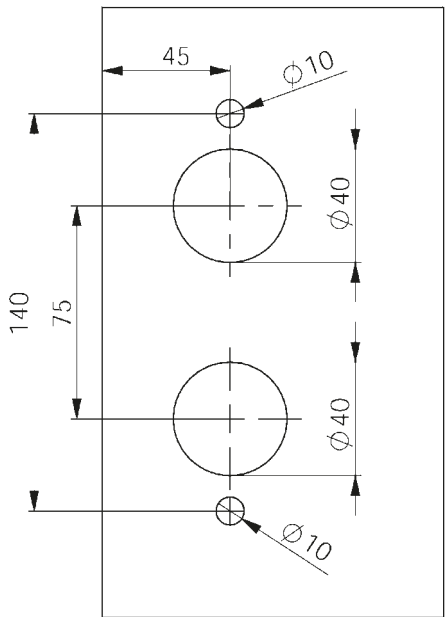


Please check drilling scheme dimensions with actual dimensions on lock.

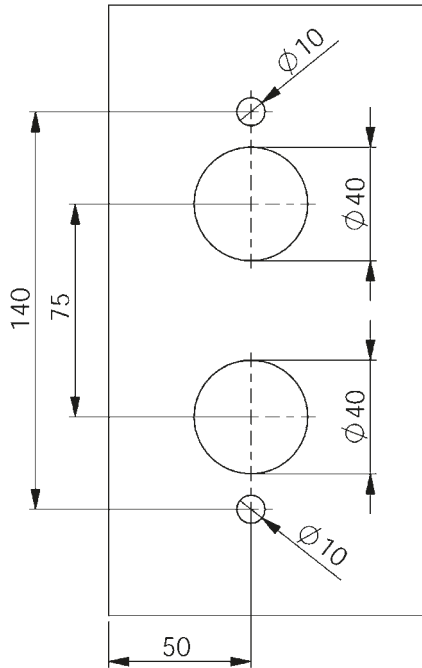
LC130-LC132 / 30,5 C=26,5
LC130-LC132 / 35 C=31

Installation box

2050

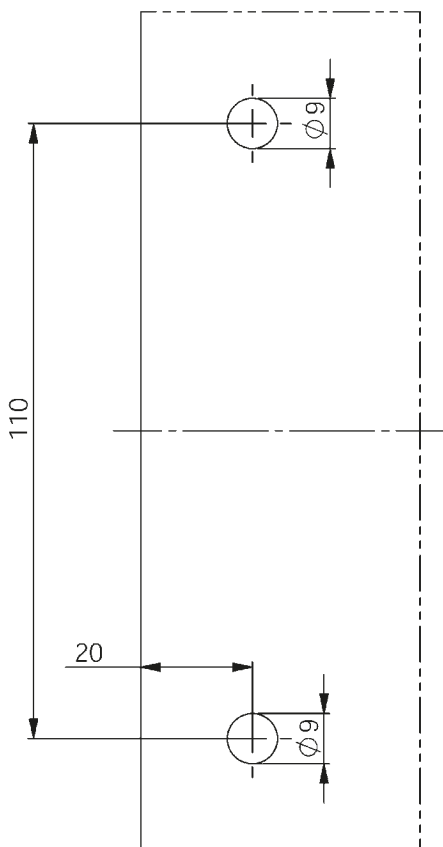


2051

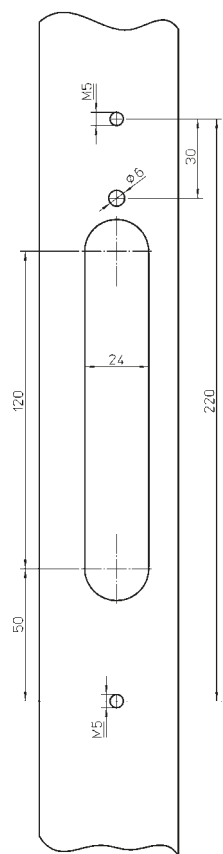


Striker plates

0050, 0051, 0052



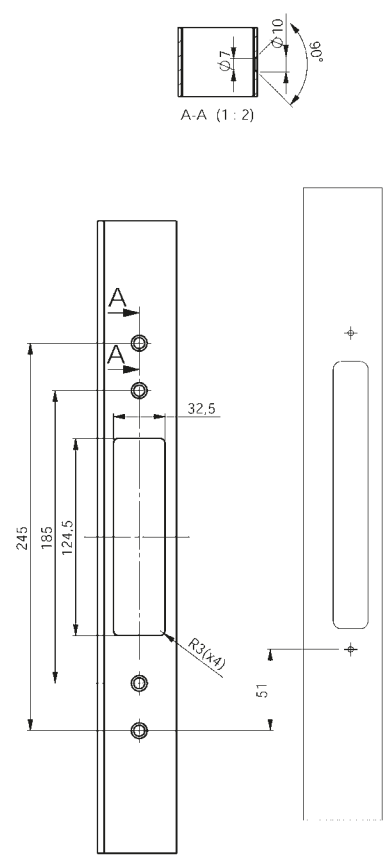
LP707



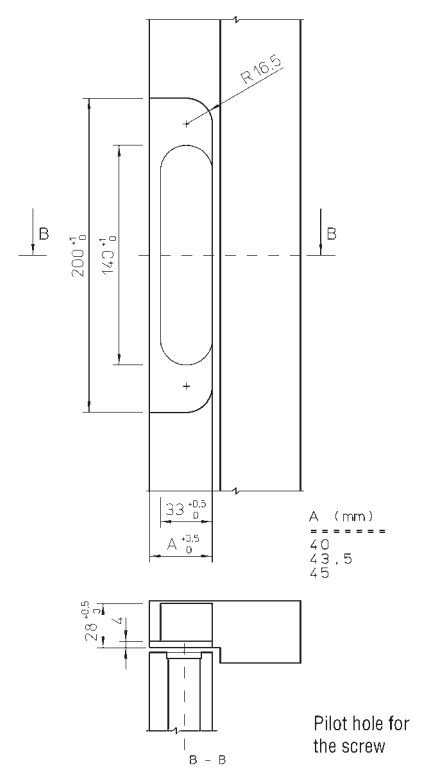
The mortise measures are normative.

Striker plates

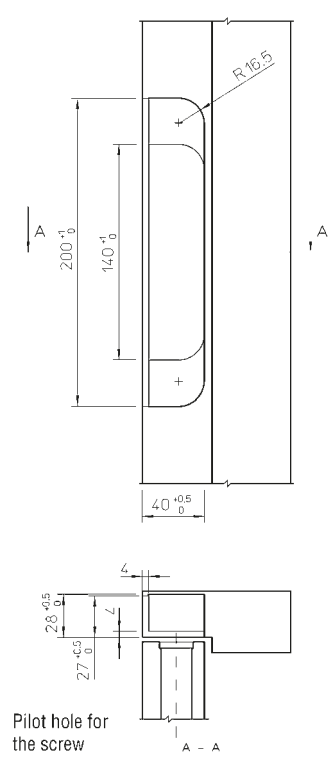
LP708



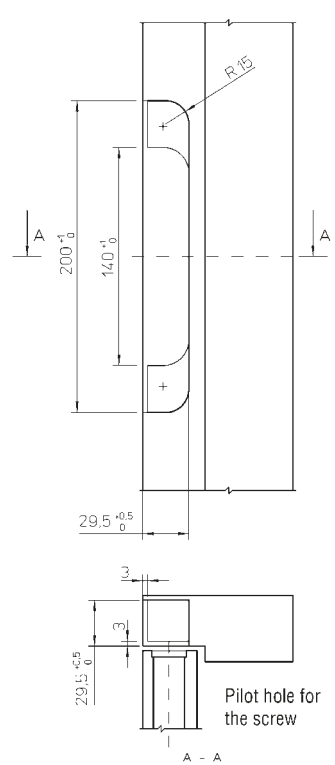
LP710, LP711, LP712, LP713, LP714, LP717, LP718, LP719, LP719I



LP721, LP722, LP723

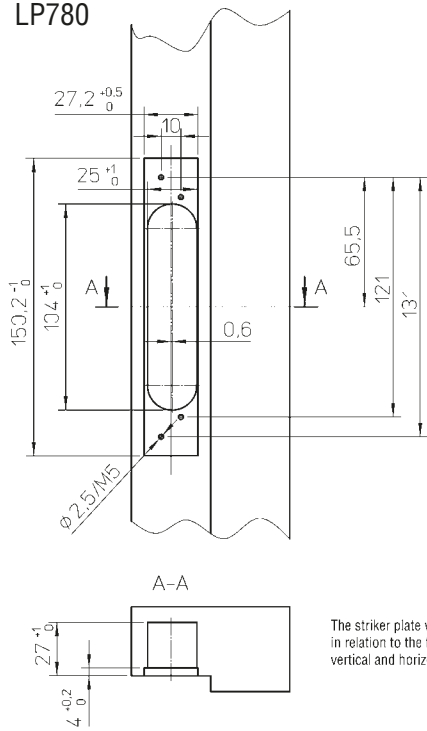


LP731, LP732



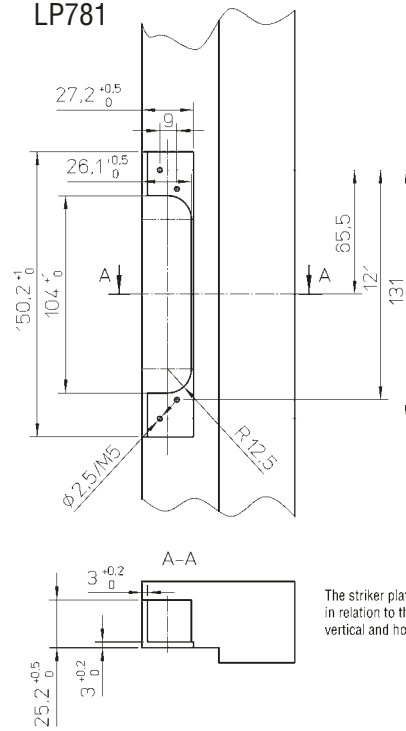
Striker plates

LP780



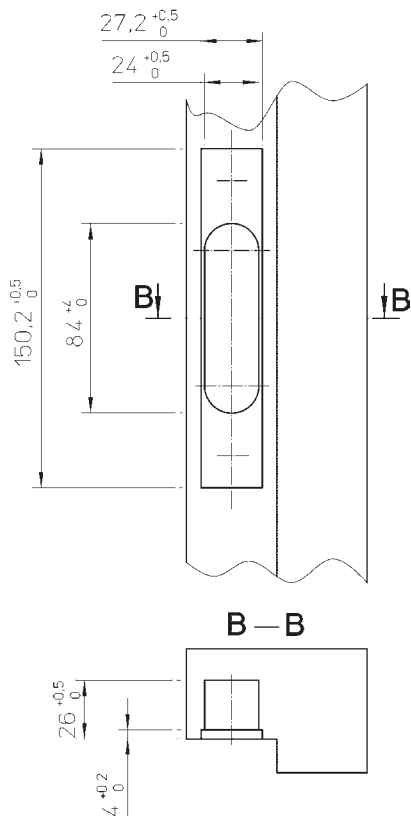
The striker plate will be placed symmetrically in relation to the forend of the lock case in vertical and horizontal directions.

LP781

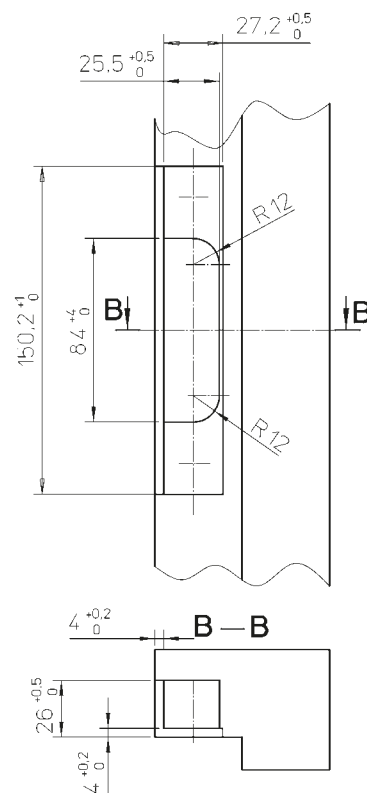


The striker plate will be placed symmetrically in relation to the forend of the lock case in vertical and horizontal directions.

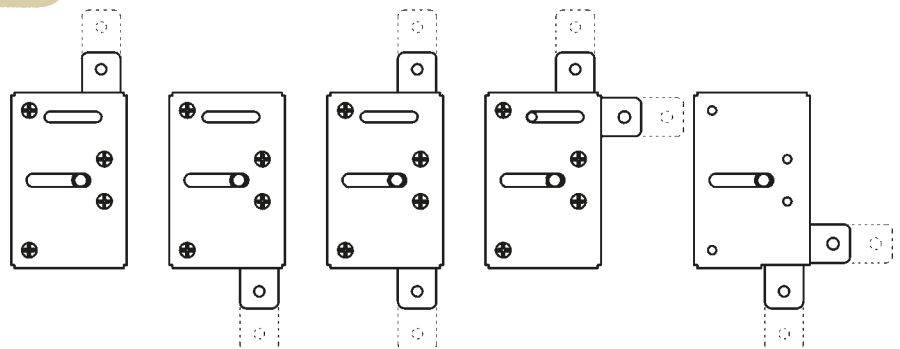
0036



0065



Multipoint locking applications



The mortise measures are normative.



www.abloy.com

Abloy Oy Björkboda factory
25860 BJÖRKBODA, Finland
Tel. + 358 20 599 4402
+ 358 20 599 4436
Fax + 358 20 599 4249
+ 358 20 599 4117

